



# BRAKE PAD PRIME CERAMIC P85032N

The P85032N NAO brake pad is synonymous with reliability

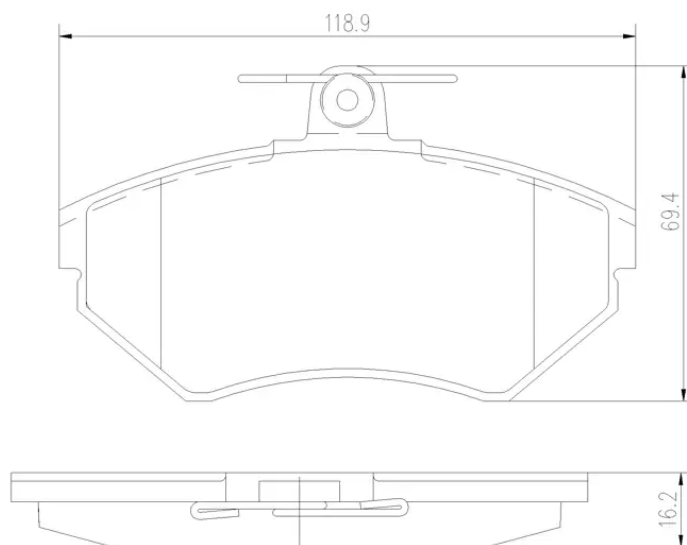
Brembo NAO brake pads stand out for their ultimate braking comfort, reduced friction wear and low dust mission, which makes for cleaner rims and reduced maintenance requirements. The advanced friction material in keeping with the strictest environmental standards is the main distinguishing feature of NAO compounds.

- ✓ OE-equivalent
- ✓ Brembo quality
- ✓ Safety
- ✓ Comfort
- ✓ Durability
- ✓ Dust reduction
- ✓ With accessories



## Technical specifications

EAN code <b>8020584100028</b>	Axle <b>Front</b>	Thickness <b>16 mm</b>
Width <b>119 mm</b>	Height <b>69 mm</b>	Braking system <b>Lucas</b>
Wear indicator <b>Without</b>	WVA number <b>21945</b>	Accessories <b>With anti-squeal shim</b>



4PCS/SET

## COMPATIBLE OE PART NUMBERS

1HM698151	AUDI
-----------	------

1HM698151A	AUDI
------------	------

357698151E	AUDI
------------	------

6N0698151A	AUDI
------------	------

6N0698151B	AUDI
------------	------

1HM698151	SEAT
-----------	------

1HM698151A	SEAT
------------	------

357698151E	SEAT
------------	------

6N0698151A	SEAT
------------	------

6N0698151B	SEAT
------------	------

1HM698151	SKODA
-----------	-------

1HM698151A	SKODA
------------	-------

357698151E	SKODA
------------	-------

6N0698151A	SKODA
------------	-------

6N0698151B	SKODA
------------	-------

1HM698151	VW
-----------	----

1HM698151A	VW
------------	----

357698151E	VW
------------	----

6N0698151A	VW
------------	----

6N0698151B	VW
------------	----