



BRAKE PAD NAO P85113N

The P85113N NAO brake pad is synonymous with reliability

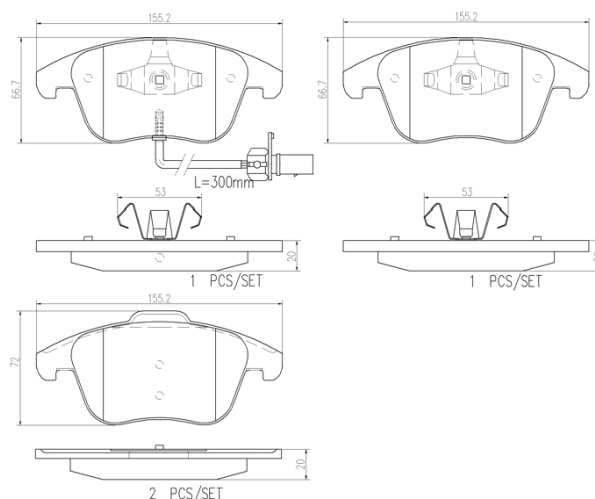
Brembo NAO brake pads stand out for their ultimate braking comfort, reduced friction wear and low dust mission, which makes for cleaner rims and reduced maintenance requirements. The advanced friction material in keeping with the strictest environmental standards is the main distinguishing feature of NAO compounds.

- ✓ OE-equivalent
- ✓ Brembo quality
- ✓ Safety
- ✓ Comfort
- ✓ Durability
- ✓ Dust reduction
- ✓ With accessories



Technical specifications

EAN code 8020584090152	Axle Front	Thickness 20 mm
Width 155 mm	Height 67 mm	Braking system Teves
Wear indicator Electric	WVA number 24333,24706,24332	Accessories With anti-squeal shim With piston clip



COMPATIBLE VEHICLES

COMPATIBLE OE PART NUMBERS

8K0698151A	AUDI
------------	------

8K0698151F	AUDI
------------	------

8K0698151P	AUDI
------------	------

L8K0698151A	AUDI (FAW)
-------------	------------

L8K0698151F	AUDI (FAW)
-------------	------------

8K0698151A	SEAT
------------	------

8K0698151F	SEAT
------------	------

8K0698151A	SKODA
------------	-------

8K0698151F	SKODA
------------	-------

8K0098301F	VW
------------	----

8K0698151A	VW
------------	----

8K0698151F	VW
------------	----