



BRAKE PAD NAO P85116N

The P85116N NAO brake pad is synonymous with reliability

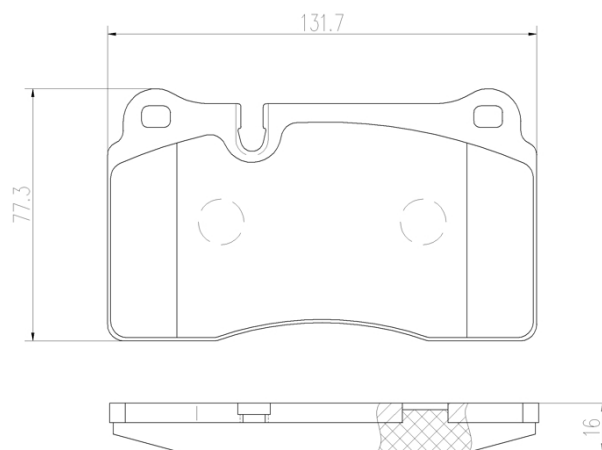
Brembo NAO brake pads stand out for their ultimate braking comfort, reduced friction wear and low dust mission, which makes for cleaner rims and reduced maintenance requirements. The advanced friction material in keeping with the strictest environmental standards is the main distinguishing feature of NAO compounds.

- ✓ OE-equivalent
- ✓ Brembo quality
- ✓ Safety
- ✓ Comfort
- ✓ Durability
- ✓ Dust reduction
- ✓ With accessories



Technical specifications

EAN code 8020584083581	Axle Front and rear	Thickness 16 mm
Width 132 mm	Height 77 mm	Braking system Brembo
Wear indicator Prepared for wear indicator	WVA number 24098	Accessories With anti-squeal shim



4 PCS/SET

COMPATIBLE VEHICLES

COMPATIBLE OE PART NUMBERS

8D332C562BA	ASTON MARTIN
8J0698151D	AUDI
8J0698151E	AUDI
8J0698151G	AUDI
8J0698151H	AUDI
8J0698151K	AUDI
8J0698151L	AUDI
84630374	CHEVROLET
22990625	GENERAL MOTORS
P0059551AB	NIO
8J0698151D	SEAT
8J0698151E	SEAT
8J0698151G	SEAT
8J0698151H	SEAT
8J0698151K	SEAT
8J0698151L	SEAT
8J0698151D	SKODA
8J0698151E	SKODA
8J0698151G	SKODA
8J0698151H	SKODA
8J0698151K	SKODA
8J0698151L	SKODA
70001081	VW
7L6698151K	VW
7P6698151F	VW
8J0698151D	VW
8J0698151E	VW
8J0698151G	VW
8J0698151H	VW
8J0698151K	VW
8J0698151L	VW
JZW698302DF	VW