



# BRAKE PAD NAO P85118N

The P85118N NAO brake pad is synonymous with reliability

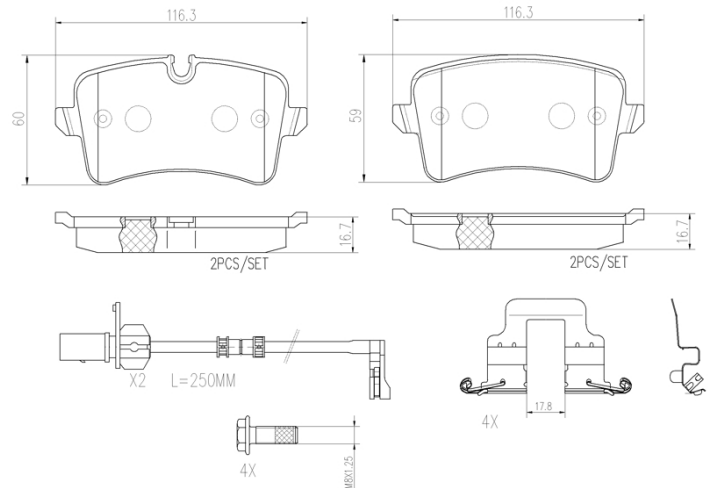
Brembo NAO brake pads stand out for their ultimate braking comfort, reduced friction wear and low dust mission, which makes for cleaner rims and reduced maintenance requirements. The advanced friction material in keeping with the strictest environmental standards is the main distinguishing feature of NAO compounds.

- ✓ OE-equivalent
- ✓ Brembo quality
- ✓ Safety
- ✓ Comfort
- ✓ Durability
- ✓ Dust reduction
- ✓ With accessories



## Technical specifications

EAN code <b>8020584083024</b>	Axle <b>Rear</b>	Thickness <b>17 mm</b>
Width <b>116 mm</b>	Height <b>59 mm</b>	Braking system <b>Lucas</b>
Wear indicator <b>Electric</b>	WVA number <b>25214,24606</b>	Accessories <b>With anti-squeal shim</b> <b>With brake caliper bolts</b> <b>With accessories</b>



**COMPATIBLE VEHICLES**

## COMPATIBLE OE PART NUMBERS

4G0698451 AUDI

---

4G0698451H AUDI

---

4G0698451L AUDI

---

4G0698451P AUDI

---

4GD698451 AUDI (FAW)

---

4GD698451B AUDI (FAW)

---

L4GD698451 AUDI (FAW)

---

4G0698451 SEAT

---

4G0698451H SEAT

---

4G0698451 SKODA

---

4G0698451H SKODA

---

4G0698451 VW

---

4G0698451H VW

---