



BRAKE PAD PRIME CERAMIC P85141N

The P85141N NAO brake pad is synonymous with reliability

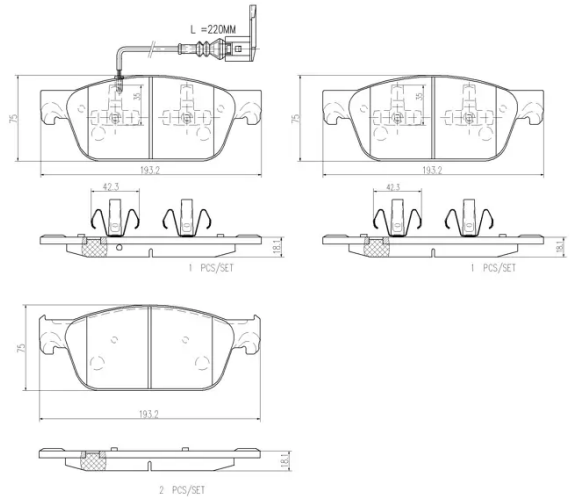
Brembo NAO brake pads stand out for their ultimate braking comfort, reduced friction wear and low dust mission, which makes for cleaner rims and reduced maintenance requirements. The advanced friction material in keeping with the strictest environmental standards is the main distinguishing feature of NAO compounds.

- ✓ OE-equivalent
- ✓ Brembo quality
- ✓ Safety
- ✓ Comfort
- ✓ Durability
- ✓ Dust reduction
- ✓ With accessories



Technical specifications

EAN code 8020584068151	Axle Front	Thickness 18 mm
Width 193 mm	Height 75 mm	Braking system Teves
Wear indicator Electric	WVA number 24623,24624,24625	Accessories With accessories With anti-squeal shim With piston clip



COMPATIBLE VEHICLES

COMPATIBLE OE PART NUMBERS

7E0698151C	SEAT
------------	------

7E0698151C	SKODA
------------	-------

7E0698151	VW
-----------	----

7E0698151B	VW
------------	----

7E0698151C	VW
------------	----

7E0698151D	VW
------------	----