



BRAKE PAD PRIME CERAMIC P85152N

The P85152N NAO brake pad is synonymous with reliability

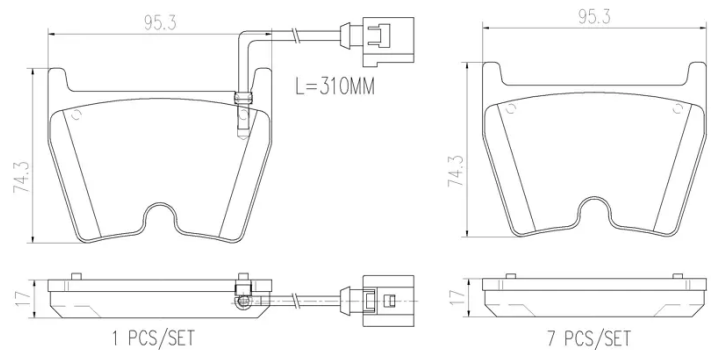
Brembo NAO brake pads stand out for their ultimate braking comfort, reduced friction wear and low dust mission, which makes for cleaner rims and reduced maintenance requirements. The advanced friction material in keeping with the strictest environmental standards is the main distinguishing feature of NAO compounds.

- ✓ OE-equivalent
- ✓ Brembo quality
- ✓ Safety
- ✓ Comfort
- ✓ Durability
- ✓ Dust reduction
- ✓ With accessories



Technical specifications

EAN code 8020584068342	Axle Front	Thickness 17 mm
Width 95 mm	Height 74 mm	Braking system Brembo
Wear indicator Electric	WVA number 22033,22491,23751	Accessories With anti-squeal shim



COMPATIBLE VEHICLES

COMPATIBLE OE PART NUMBERS

8S0698151F AUDI

8U0698151F AUDI

8U0698151G AUDI

8U0698151H AUDI

8U0698151J AUDI

8V0698151F AUDI

8V0698151K AUDI

8V0698151M AUDI

8V0698151N AUDI

8V0698151P AUDI

68353597AB FIAT

68353597AB JEEP

8U0698151F SEAT

8U0698151G SEAT

8U0698151H SEAT

8U0698151J SEAT

8V0698151F SEAT

8V0698151K SEAT

8V0698151M SEAT

8U0698151F SKODA

8U0698151G SKODA

8U0698151H SKODA

8U0698151J SKODA

8V0698151F SKODA

8V0698151K SKODA

8V0698151M SKODA

8U0698151F VW

8U0698151G VW

8U0698151H VW

8U0698151J VW

8V0698151F VW

8V0698151K VW

8V0698151M VW
