



BRAKE PAD NAO P85153N

The P85153N NAO brake pad is synonymous with reliability

Brembo NAO brake pads stand out for their ultimate braking comfort, reduced friction wear and low dust mission, which makes for cleaner rims and reduced maintenance requirements. The advanced friction material in keeping with the strictest environmental standards is the main distinguishing feature of NAO compounds.

- ✓ OE-equivalent
- ✓ Brembo quality
- ✓ Safety
- ✓ Comfort
- ✓ Durability
- ✓ Dust reduction
- ✓ With accessories



Technical specifications

EAN code
8020584069752

Axle
Front

Thickness
17 mm

Width
155 mm

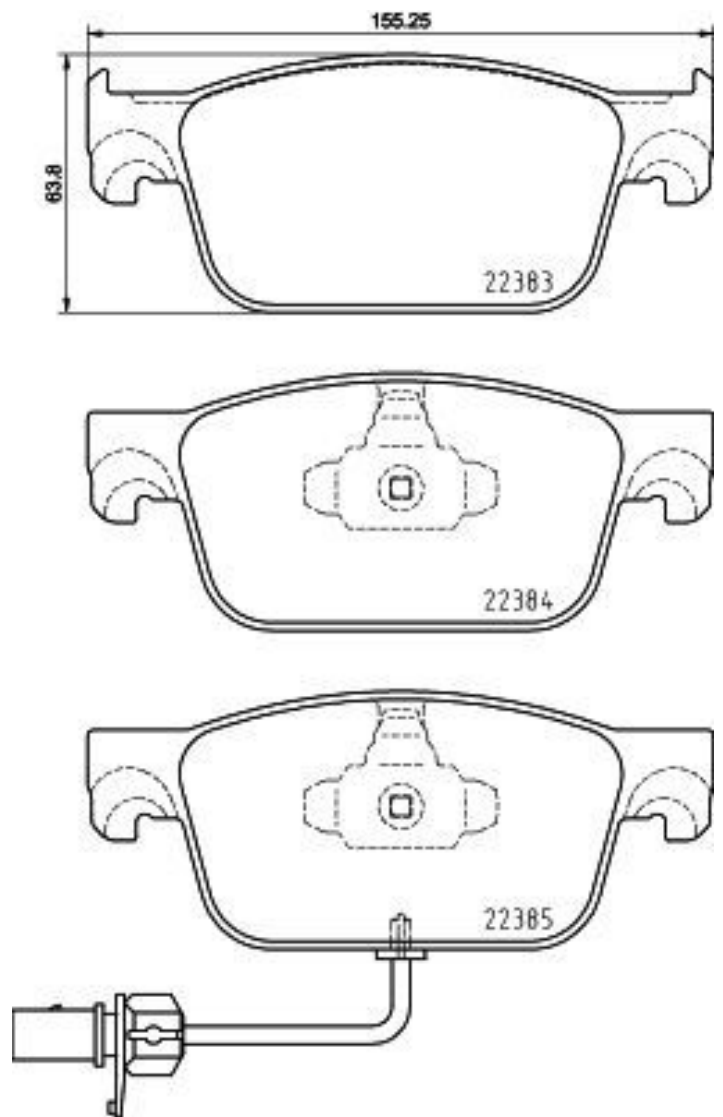
Height
64 mm

Braking system
Teves

Wear indicator
Electric

WVA number
22385,22383,22384

Accessories
With anti-squeal shim
With piston clip



COMPATIBLE VEHICLES

COMPATIBLE OE PART NUMBERS

8W0698151AA	AUDI
-------------	------

8W0698151AB	AUDI
-------------	------

8W0698151AF	AUDI
-------------	------

8W0698151AG	AUDI
-------------	------

8W0698151BG	AUDI
-------------	------

8W0698151BH	AUDI
-------------	------

8W0698151J	AUDI
------------	------

8W0698151K	AUDI
------------	------

8W0698151Q	AUDI
------------	------

L8WD698151	AUDI (FAW)
------------	------------

L8WD698151A	AUDI (FAW)
-------------	------------

8W0698151AA	SEAT
-------------	------

8W0698151AB	SEAT
-------------	------

8W0698151AG	SEAT
-------------	------

8W0698151BG	SEAT
-------------	------

8W0698151J	SEAT
------------	------

8W0698151K	SEAT
------------	------

8W0698151Q	SEAT
------------	------

8W0698151AA	SKODA
-------------	-------

8W0698151AB	SKODA
-------------	-------

8W0698151AG	SKODA
-------------	-------

8W0698151BG	SKODA
-------------	-------

8W0698151J	SKODA
------------	-------

8W0698151K	SKODA
------------	-------

8W0698151Q	SKODA
------------	-------

8W0698151AA	VW
-------------	----

8W0698151AB	VW
-------------	----

8W0698151AG	VW
-------------	----

8W0698151BG	VW
-------------	----

8W0698151J	VW
------------	----

8W0698151K	VW
------------	----

8W0698151Q	VW
------------	----