



BRAKE PAD PRIME CERAMIC P85182N

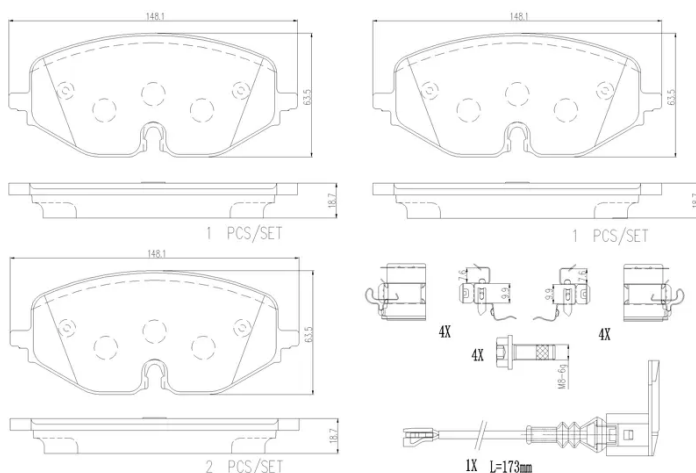
The P85182N NAO brake pad is synonymous with reliability

Brembo NAO brake pads stand out for their ultimate braking comfort, reduced friction wear and low dust mission, which makes for cleaner rims and reduced maintenance requirements. The advanced friction material in keeping with the strictest environmental standards is the main distinguishing feature of NAO compounds.

- ✓ OE-equivalent
- ✓ Brembo quality
- ✓ Safety
- ✓ Comfort
- ✓ Durability
- ✓ Dust reduction
- ✓ With accessories

Technical specifications

EAN code 8020584120101	Axle Front	Thickness 19 mm
Width 148 mm	Height 64 mm	Braking system TRW
Wear indicator Electric	WVA number 26169	Accessories With accessories With anti-squeal shim With brake caliper bolts



COMPATIBLE VEHICLES

COMPATIBLE OE PART NUMBERS

5WA698151Q	AUDI
5WA698151P	CUPRA
5WA698269B	CUPRA
2614210	FORD
VWN3CA2D390EA	FORD
5WA698151	SEAT
5WA698151P	SEAT
5WA698151P	SKODA
5WD698151B	SKODA (SVW)
5WA698151A	VW
5WA698151P	VW
L5WD698151	VW (FAW)
L5WD698151B	VW (FAW)
L5WD698151	VW (SVW)