



# BRAKE PAD NAO P86021N

The P86021N NAO brake pad is synonymous with reliability

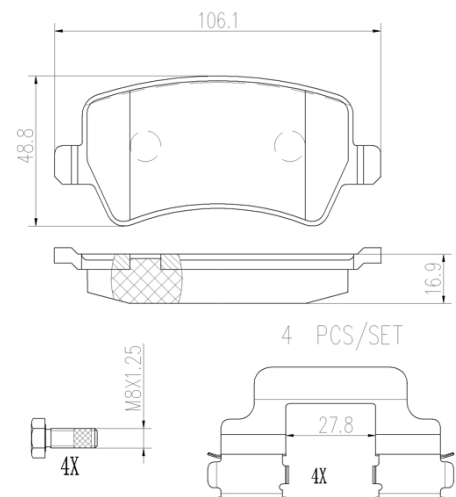
Brembo NAO brake pads stand out for their ultimate braking comfort, reduced friction wear and low dust mission, which makes for cleaner rims and reduced maintenance requirements. The advanced friction material in keeping with the strictest environmental standards is the main distinguishing feature of NAO compounds.

- ✓ OE-equivalent
- ✓ Brembo quality
- ✓ Safety
- ✓ Comfort
- ✓ Durability
- ✓ Dust reduction
- ✓ With accessories



## Technical specifications

EAN code <b>8020584081846</b>	Axle <b>Rear</b>	Thickness <b>17 mm</b>
Width <b>106 mm</b>	Height <b>49 mm</b>	Braking system <b>TRW</b>
Wear indicator <b>Without</b>	WVA number <b>24496</b>	Accessories <b>With anti-squeal shim</b> <b>With brake caliper bolts</b> <b>With accessories</b>



COMPATIBLE VEHICLES

## COMPATIBLE OE PART NUMBERS

LR027129	LAND ROVER
----------	------------

LR043714	LAND ROVER
----------	------------

30671574	VOLVO
----------	-------

306715740	VOLVO
-----------	-------

306715750	VOLVO
-----------	-------

30742491	VOLVO
----------	-------

30794554	VOLVO
----------	-------

31408670	VOLVO
----------	-------

314086700	VOLVO
-----------	-------

31445796	VOLVO
----------	-------

32300257	VOLVO
----------	-------