



BRAKE PAD PRIME CERAMIC P86031N

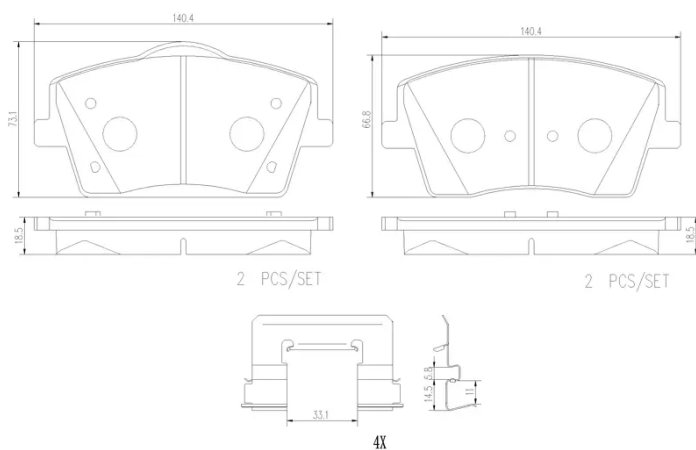
The P86031N NAO brake pad is
synonymous with reliability

Brembo NAO brake pads stand out for their ultimate braking comfort, reduced friction wear and low dust mission, which makes for cleaner rims and reduced maintenance requirements. The advanced friction material in keeping with the strictest environmental standards is the main distinguishing feature of NAO compounds.

- ✓ OE-equivalent
- ✓ Brembo quality
- ✓ Safety
- ✓ Comfort
- ✓ Durability
- ✓ Dust reduction
- ✓ With accessories

Technical specifications

EAN code 8020584120262	Axle Front	Thickness 19 mm
Width 140 mm	Height 67 mm	Accessories With anti-squeal shim
Wear indicator Without	WVA number 26126,26127	



COMPATIBLE VEHICLES

COMPATIBLE OE PART NUMBERS

4048055500 GEELY

8888664290 LYNK & CO

8889730105 LYNK & CO

8889810014 LYNK & CO

31471407 VOLVO

314714070 VOLVO

31471408 VOLVO

314714080 VOLVO

32276931 VOLVO

322769310 VOLVO

32329535 VOLVO

32329536 VOLVO

80011381 VOLVO
