



BRAKE PAD

P 16 011

The P 16 011 brake pad is synonymous with reliability

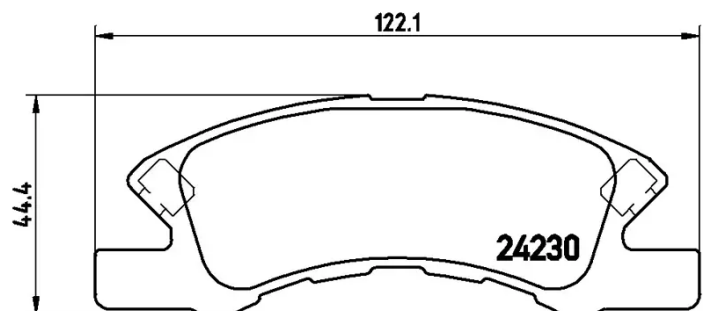
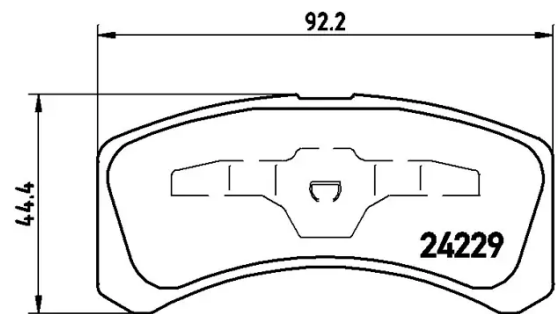
The Brembo brake pad guarantees ultimate safety when braking thanks to the use of more than 100 different compounds, designed according to the type of vehicle and use. Stopping distances reduced to a minimum, maximum driving comfort and silent operation are the most important features of Brembo materials. Brembo brake pads are supplied together with an extensive range of accessories and assembly kits for professional-standard installation.

- ✓ OE-equivalent
- ✓ Brembo quality
- ✓ ECE-R90 certificate
- ✓ Safety
- ✓ Performance
- ✓ Comfort



Technical specifications

EAN code 8020584060216	Axle Front	Thickness 15 mm
Width 92 mm	Height 44 mm	Braking system Akebono
Wear indicator Acoustic	WVA number 24229,24230	Accessories With anti-squeal shim



COMPATIBLE OE PART NUMBERS

04465B2010	DAIHATSU
04465B2030	DAIHATSU
04465B2040	DAIHATSU
04465B2100	DAIHATSU
04465B2150	DAIHATSU
0449197203	DAIHATSU
0449197203000	DAIHATSU
0449197206	DAIHATSU
0449197206000	DAIHATSU
0449197209000	DAIHATSU
0449197211000	DAIHATSU
0449197214	DAIHATSU
0449197214000	DAIHATSU
0449197218000	DAIHATSU
04491BZ011	DAIHATSU
4605A272	MITSUBISHI
4605B005	MITSUBISHI
4605B006	MITSUBISHI
4605B281	MITSUBISHI
4605B438	MITSUBISHI
4605B530	MITSUBISHI
MN113093	MITSUBISHI
MR475902	MITSUBISHI
MR527128	MITSUBISHI
MZ690139	MITSUBISHI
MZ690180	MITSUBISHI
410606A00A	NISSAN
410606A0A1	NISSAN
AY040KE119	NISSAN
04465BZ120	PERODUA
04465B2100	SUBARU
04465B2150	SUBARU
04465B2150	TOYOTA
04465B2180	TOYOTA
04491BZ010	TOYOTA