

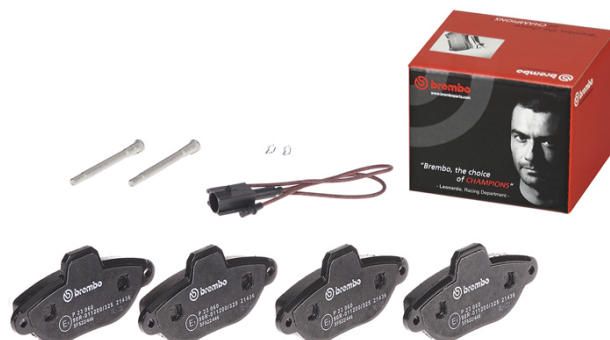


# BRAKE PAD

## P 23 060

The P 23 060 brake pad is synonymous with reliability

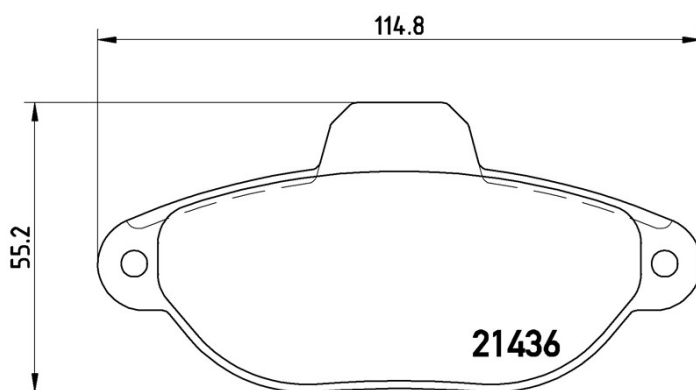
The Brembo brake pad guarantees ultimate safety when braking thanks to the use of more than 100 different compounds, designed according to the type of vehicle and use. Stopping distances reduced to a minimum, maximum driving comfort and silent operation are the most important features of Brembo materials. Brembo brake pads are supplied together with an extensive range of accessories and assembly kits for professional-standard installation.



- ✓ OE-equivalent
- ✓ Brembo quality
- ✓ ECE-R90 certificate
- ✓ Safety
- ✓ Performance
- ✓ Comfort
- ✓ With accessories

### Technical specifications

EAN code	Axle	Thickness
<b>8020584051306</b>	<b>Front</b>	<b>17 mm</b>
Width	Height	Braking system
<b>115 mm</b>	<b>55 mm</b>	<b>Bendix</b>
Wear indicator	WVA number	Accessories
<b>Electric</b>	<b>21436</b>	<b>With accessories</b>



COMPATIBLE VEHICLES

## COMPATIBLE OE PART NUMBERS

5892736 FIAT

---

71737178 FIAT

---

71772226 FIAT

---

8660004666 FIAT

---

8671016577 FIAT

---