



BRAKE PAD

P 23 125

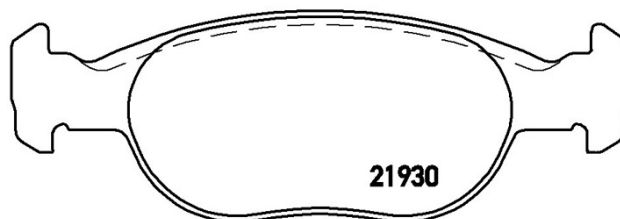
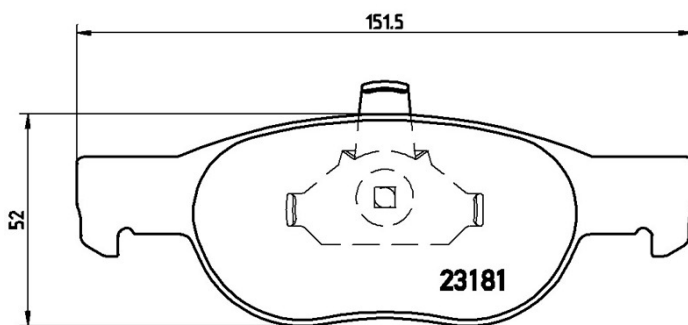
The P 23 125 brake pad is synonymous with reliability

The Brembo brake pad guarantees ultimate safety when braking thanks to the use of more than 100 different compounds, designed according to the type of vehicle and use. Stopping distances reduced to a minimum, maximum driving comfort and silent operation are the most important features of Brembo materials. Brembo brake pads are supplied together with an extensive range of accessories and assembly kits for professional-standard installation.

- ✓ OE-equivalent
- ✓ Brembo quality
- ✓ ECE-R90 certificate
- ✓ Safety
- ✓ Performance
- ✓ Comfort

Technical specifications

EAN code	Axle	Thickness
8020584060384	Front	18 mm
Width	Height	Braking system
152 mm	52 mm	Teves
Wear indicator	WVA number	Accessories
Without	21930,23181	With piston clip



COMPATIBLE VEHICLES

COMPATIBLE OE PART NUMBERS

6001073161	FIAT
------------	------

71752981	FIAT
----------	------

71772209	FIAT
----------	------

77362190	FIAT
----------	------

9947891	FIAT
---------	------

9947934	FIAT
---------	------

9947891	LANCIA
---------	--------