



# BRAKE PAD

## P 28 089

**The P 28 089 brake pad is synonymous with reliability**

The Brembo brake pad guarantees ultimate safety when braking thanks to the use of more than 100 different compounds, designed according to the type of vehicle and use. Stopping distances reduced to a minimum, maximum driving comfort and silent operation are the most important features of Brembo materials. Brembo brake pads are supplied together with an extensive range of accessories and assembly kits for professional-standard installation.

- ✓ OE-equivalent
- ✓ Brembo quality
- ✓ ECE-R90 certificate
- ✓ Safety
- ✓ Performance
- ✓ Comfort



## Technical specifications

EAN code  
**8020584084281**

Axle  
**Rear**

Thickness  
**15 mm**

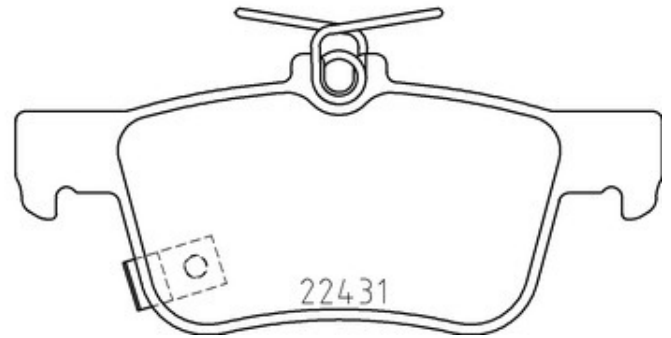
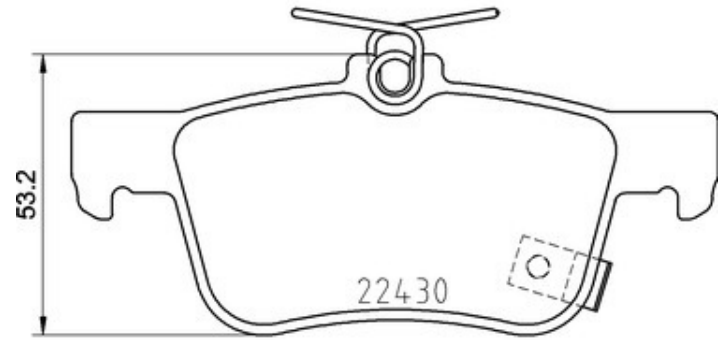
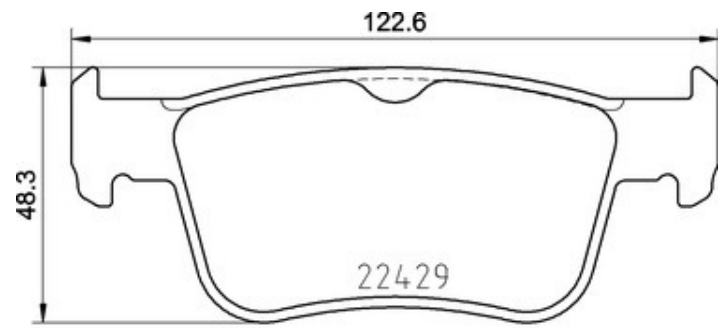
Width  
**123 mm**

Height  
**48 mm**

Braking system  
**Teves**

Wear indicator  
**Acoustic**

WVA number  
**22430,22431,22429**



COMPATIBLE VEHICLES

## COMPATIBLE OE PART NUMBERS

43022TJBA02	ACURA
3502180AW01	CHANGAN
52010580300	CHANGAN
3502110XKU00A	HAVAL
3502110XKU0PA	HAVAL
3502110XKZ1DA	HAVAL
43022T20A01	HONDA
43022T60A01	HONDA
43022TBAA02	HONDA
43022TBFA01	HONDA
43022TEAT12	HONDA
43022TGHA01	HONDA
43022TGHA11	HONDA
43022TGNG02	HONDA
43022TYFE01	HONDA
43022TBAH01	HONDA (DONGFENG)
43022TEAH01	HONDA (DONGFENG)
43022TEAH02	HONDA (DONGFENG)
43022TEAT11	HONDA (DONGFENG)
3502110XKU00A	WEY
3502110XKU47A	WEY