



BRAKE PAD

P 30 097

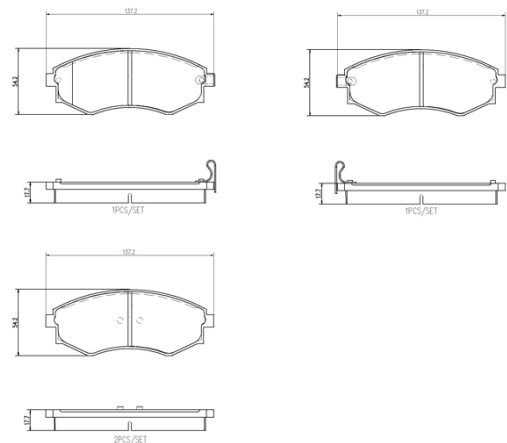
The P 30 097 brake pad is synonymous with reliability

The Brembo brake pad guarantees ultimate safety when braking thanks to the use of more than 100 different compounds, designed according to the type of vehicle and use. Stopping distances reduced to a minimum, maximum driving comfort and silent operation are the most important features of Brembo materials. Brembo brake pads are supplied together with an extensive range of accessories and assembly kits for professional-standard installation.

- ✓ OE-equivalent
- ✓ Brembo quality
- ✓ ECE-R90 certificate
- ✓ Safety
- ✓ Performance
- ✓ Comfort
- ✓ With accessories

Technical specifications

EAN code 8020584087794	Axle Front	Thickness 18 mm
Width 137 mm	Height 53 mm	Braking system Akebono
Wear indicator Acoustic	WVA number 22540,22539,22541	Accessories With accessories



COMPATIBLE VEHICLES

COMPATIBLE OE PART NUMBERS

5810139A10

HYUNDAI

5810108A10

HYUNDAI (BEIJING)

5810138A70

KIA