



BRAKE PAD

P 44 023

The P 44 023 brake pad is synonymous with reliability

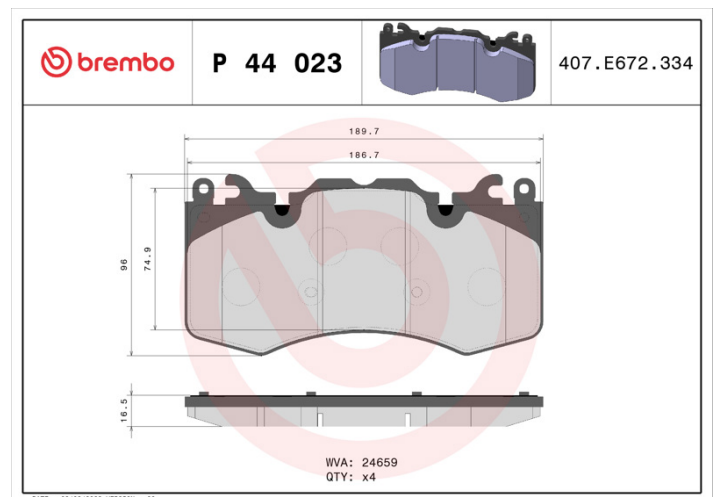
The Brembo brake pad guarantees ultimate safety when braking thanks to the use of more than 100 different compounds, designed according to the type of vehicle and use. Stopping distances reduced to a minimum, maximum driving comfort and silent operation are the most important features of Brembo materials. Brembo brake pads are supplied together with an extensive range of accessories and assembly kits for professional-standard installation.

- ✓ OE-equivalent
- ✓ Brembo quality
- ✓ ECE-R90 certificate
- ✓ Safety
- ✓ Performance
- ✓ Comfort



Technical specifications

EAN code	Axle	Thickness
8020584110119	Front	17 mm
Width	Height	Braking system
190 mm	96 mm	Brembo
Wear indicator	WVA number	
Prepared for wear indicator	24659	



COMPATIBLE VEHICLES

COMPATIBLE OE PART NUMBERS

LR016684 LAND ROVER

LR020362 LAND ROVER

LR039526 LAND ROVER

LR064181 LAND ROVER

LR083935 LAND ROVER

LR093886 LAND ROVER

LR110075 LAND ROVER

LR110087 LAND ROVER

LR114004 LAND ROVER

LR156926 LAND ROVER

LR160069 LAND ROVER

LR163215 LAND ROVER

LR164745 LAND ROVER
