



BRAKE PAD XTRA P 50 068X

The P 50 068X Xtra brake pad is synonymous with reliability

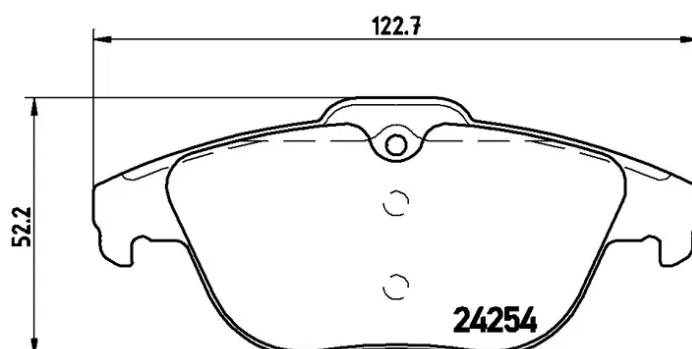
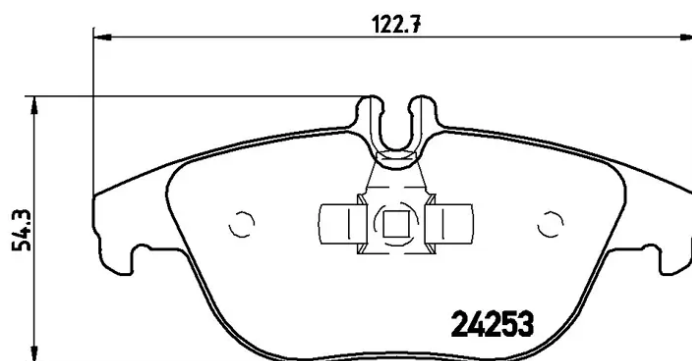
Brembo Xtra brake pads, developed to enhance the advantages of the Xtra and Max discs, are made using the special BRM X L01 compound which consists of more than 30 different components. Compared with the compound used for original-equivalent pads, the new solution assures a higher friction coefficient, which translates to more precise and stable braking, at both high and low temperatures. All this makes for greater driving comfort and improved pedal modularity, without compromising the product's mileage output.



- ✓ OE-equivalent
- ✓ Brembo quality
- ✓ ECE-R90 certificate
- ✓ Safety
- ✓ Performance
- ✓ Sports driving

Technical specifications

EAN code 8020584068946	Axle Rear	Thickness 18 mm
Width 123 mm	Height 52 mm	Braking system Teves
Wear indicator Prepared for wear indicator	WVA number 24254,24253	Accessories With anti-squeal shim



COMPATIBLE OE PART NUMBERS

0004200205	MERCEDES-BENZ
0054200720	MERCEDES-BENZ
0054204220	MERCEDES-BENZ
0054204320	MERCEDES-BENZ
0054208120	MERCEDES-BENZ
0064201320	MERCEDES-BENZ
0064206120	MERCEDES-BENZ
0074206020	MERCEDES-BENZ
0074208520	MERCEDES-BENZ
A0004200205	MERCEDES-BENZ
A0054200720	MERCEDES-BENZ
A0054204220	MERCEDES-BENZ
A0054204320	MERCEDES-BENZ
A005420432041	MERCEDES-BENZ
A0054208120	MERCEDES-BENZ
A0064201320	MERCEDES-BENZ
A0064206120	MERCEDES-BENZ
A0074206020	MERCEDES-BENZ
A0074208520	MERCEDES-BENZ