



BRAKE PAD XTRA

P 50 091X

The P 50 091X Xtra brake pad is synonymous with reliability

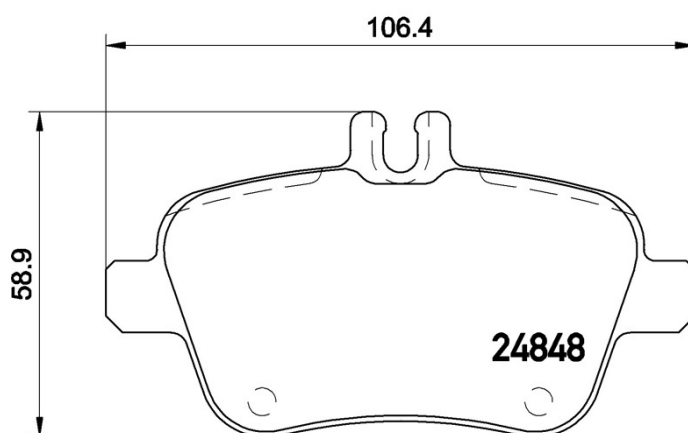
Brembo Xtra brake pads, developed to enhance the advantages of the Xtra and Max discs, are made using the special BRM X L01 compound which consists of more than 30 different components. Compared with the compound used for original-equivalent pads, the new solution assures a higher friction coefficient, which translates to more precise and stable braking, at both high and low temperatures. All this makes for greater driving comfort and improved pedal modularity, without compromising the product's mileage output.



- ✓ OE-equivalent
- ✓ Brembo quality
- ✓ ECE-R90 certificate
- ✓ Safety
- ✓ Performance
- ✓ Sports driving
- ✓ With accessories

Technical specifications

EAN code 8020584068984	Axle Rear	Thickness 18 mm
Width 106 mm	Height 59 mm	Braking system TRW
Wear indicator Prepared for wear indicator	WVA number 24848	Accessories With brake caliper bolts With accessories



COMPATIBLE VEHICLES

COMPATIBLE OE PART NUMBERS

0064202320	MERCEDES-BENZ
------------	---------------

0064207920	MERCEDES-BENZ
------------	---------------

0074209420	MERCEDES-BENZ
------------	---------------

A0004200605	MERCEDES-BENZ
-------------	---------------

A0064202320	MERCEDES-BENZ
-------------	---------------

A0064207920	MERCEDES-BENZ
-------------	---------------

A0074209420	MERCEDES-BENZ
-------------	---------------