



# BRAKE PAD

## P 54 014

The P 54 014 brake pad is synonymous with reliability

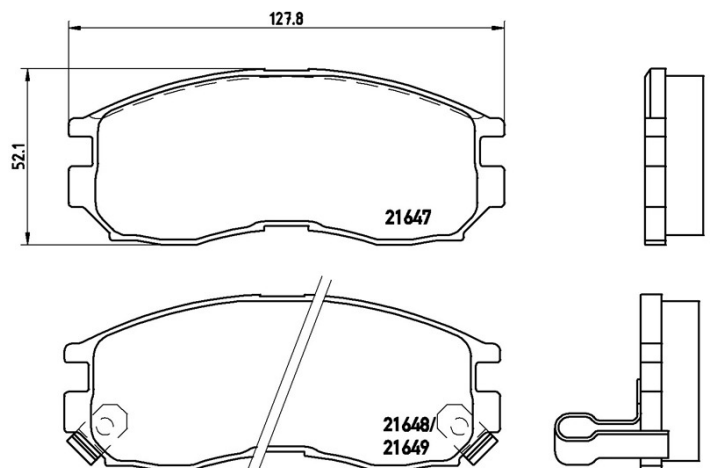
The Brembo brake pad guarantees ultimate safety when braking thanks to the use of more than 100 different compounds, designed according to the type of vehicle and use. Stopping distances reduced to a minimum, maximum driving comfort and silent operation are the most important features of Brembo materials. Brembo brake pads are supplied together with an extensive range of accessories and assembly kits for professional-standard installation.

- ✓ OE-equivalent
- ✓ Brembo quality
- ✓ ECE-R90 certificate
- ✓ Safety
- ✓ Performance
- ✓ Comfort



### Technical specifications

EAN code	Axle	Thickness
<b>8020584054611</b>	<b>Front</b>	<b>16 mm</b>
Width	Height	Braking system
<b>128 mm</b>	<b>52 mm</b>	<b>Sumitomo</b>
Wear indicator	WVA number	
<b>Acoustic</b>	<b>21648,21649,21647</b>	



COMPATIBLE VEHICLES

## COMPATIBLE OE PART NUMBERS

4615A069	CHRYSLER
MR205143	CHRYSLER
MR493551	CHRYSLER
4615A069	DODGE
MR493551	DODGE
3501500CA01	DONGFENG XIAOKANG
58101M2A01	HYUNDAI
4615A069	MITSUBISHI
MB699174	MITSUBISHI
MB699266	MITSUBISHI
MB699702	MITSUBISHI
MB699703	MITSUBISHI
MB858375	MITSUBISHI
MB858377	MITSUBISHI
MB858583	MITSUBISHI
MB858660	MITSUBISHI
MB895072	MITSUBISHI
MN102607	MITSUBISHI
MR128181	MITSUBISHI
MR129431	MITSUBISHI
MR129536	MITSUBISHI
MR129592	MITSUBISHI
MR205078	MITSUBISHI
MR307250	MITSUBISHI
MR334657	MITSUBISHI
MR389532	MITSUBISHI
MR389533	MITSUBISHI
MR389534	MITSUBISHI
MR389537	MITSUBISHI
MR389538	MITSUBISHI
MR389539	MITSUBISHI
MR389540	MITSUBISHI
MR389541	MITSUBISHI
MR475244	MITSUBISHI
MR493551	MITSUBISHI
MR493984	MITSUBISHI
MR569588	MITSUBISHI
MR569839	MITSUBISHI
MZ690001	MITSUBISHI
MZ690023	MITSUBISHI
MZ690043	MITSUBISHI
MZ690331	MITSUBISHI
X3511002	MITSUBISHI
AY040MT004	NISSAN
PC351104	PROTON

PC351612

PROTON

SE0018795

SQUEAST

---

---