



# BRAKE PAD

## P 56 085

**The P 56 085 brake pad is synonymous with reliability**

The Brembo brake pad guarantees ultimate safety when braking thanks to the use of more than 100 different compounds, designed according to the type of vehicle and use. Stopping distances reduced to a minimum, maximum driving comfort and silent operation are the most important features of Brembo materials. Brembo brake pads are supplied together with an extensive range of accessories and assembly kits for professional-standard installation.



- ✓ OE-equivalent
- ✓ Brembo quality
- ✓ ECE-R90 certificate
- ✓ Safety
- ✓ Performance
- ✓ Comfort

## Technical specifications

EAN code  
**8020584103371**

Thickness  
**14 mm**

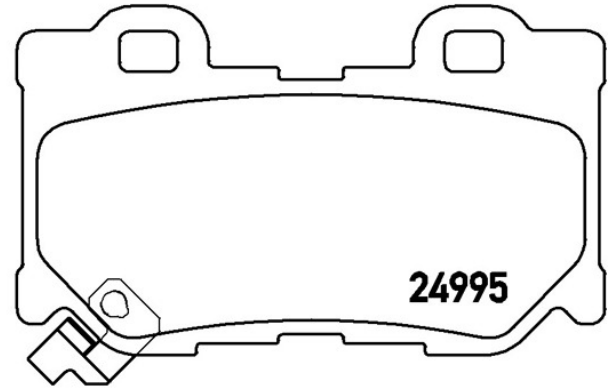
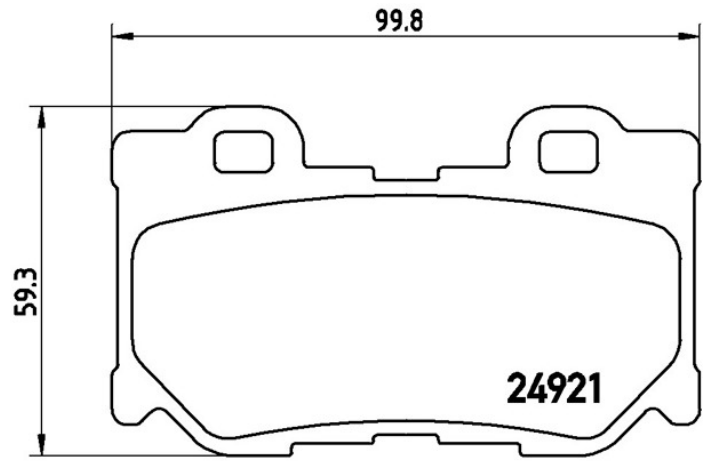
Width  
**100 mm**

Height  
**59 mm**

Braking system  
**Akebono**

Wear indicator  
**Acoustic**

WVA number  
**24921,24995**



## COMPATIBLE OE PART NUMBERS

D40606HH0B

INFINITI