



BRAKE PAD

P 59 045

The P 59 045 brake pad is synonymous with reliability

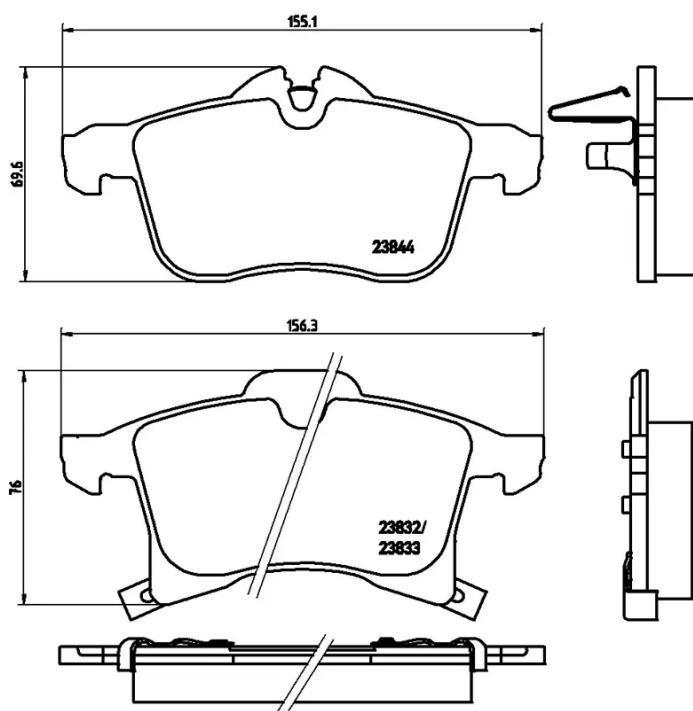
The Brembo brake pad guarantees ultimate safety when braking thanks to the use of more than 100 different compounds, designed according to the type of vehicle and use. Stopping distances reduced to a minimum, maximum driving comfort and silent operation are the most important features of Brembo materials. Brembo brake pads are supplied together with an extensive range of accessories and assembly kits for professional-standard installation.

- ✓ OE-equivalent
- ✓ Brembo quality
- ✓ ECE-R90 certificate
- ✓ Safety
- ✓ Performance
- ✓ Comfort
- ✓ With accessories



Technical specifications

| | | |
|-----------------------------------|--|---|
| EAN code 8020584055762 | Axle Front | Thickness 20 mm |
| Width 155 mm | Height 70 mm | Braking system Teves |
| Wear indicator Acoustic | WVA number 23832,23833,23844 | Accessories With accessories With anti-squeal shim With piston clip |



COMPATIBLE OE PART NUMBERS

| | |
|-----------|----------------|
| AC694281D | AC |
| 93305892 | CHEVROLET |
| 9195157 | GENERAL MOTORS |
| 93176115 | GENERAL MOTORS |
| 93176429 | GENERAL MOTORS |
| 93179707 | GENERAL MOTORS |
| 93179708 | GENERAL MOTORS |
| 93181189 | GENERAL MOTORS |
| 93186713 | GENERAL MOTORS |
| 93189697 | GENERAL MOTORS |
| 1605009 | OPEL |
| 1605035 | OPEL |
| 1605080 | OPEL |
| 1605177 | OPEL |
| 1605252 | OPEL |
| 1605456 | OPEL |
| 1605957 | OPEL |
| 1605992 | OPEL |
| 1605996 | OPEL |
| 1605997 | OPEL |
| 1605998 | OPEL |
| 90544001 | OPEL |
| 9192157 | OPEL |
| 9195145 | OPEL |
| 93181189 | OPEL |
| 93192578 | OPEL |
| 95514416 | OPEL |
| 93191893 | SATURN |
| 1605456 | VAUXHALL |
| 193192578 | VAUXHALL |
| 9195145 | VAUXHALL |
| 93192578 | VAUXHALL |