



BRAKE PAD

P 59 086

The P 59 086 brake pad is synonymous with reliability

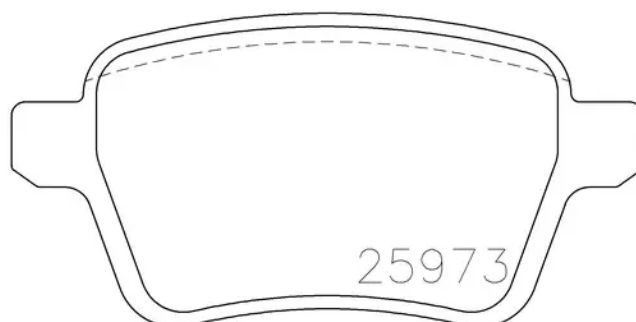
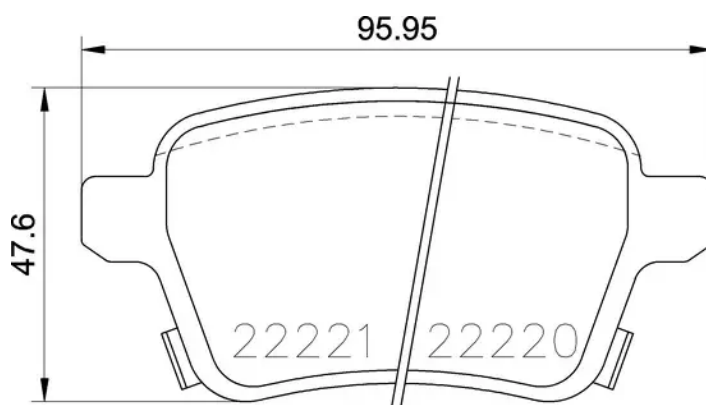
The Brembo brake pad guarantees ultimate safety when braking thanks to the use of more than 100 different compounds, designed according to the type of vehicle and use. Stopping distances reduced to a minimum, maximum driving comfort and silent operation are the most important features of Brembo materials. Brembo brake pads are supplied together with an extensive range of accessories and assembly kits for professional-standard installation.

- ✓ OE-equivalent
- ✓ Brembo quality
- ✓ ECE-R90 certificate
- ✓ Safety
- ✓ Performance
- ✓ Comfort
- ✓ With accessories



Technical specifications

EAN code 8020584083925	Axle Rear	Thickness 17 mm
Width 96 mm	Height 48 mm	Braking system TRW
Wear indicator Acoustic	WVA number 22220,22221,25973	Accessories With accessories With anti-squeal shim With brake caliper bolts



COMPATIBLE OE PART NUMBERS

1605285 OPEL

95517078 OPEL

95524971 OPEL

1605285 VAUXHALL

95517078 VAUXHALL

95524971 VAUXHALL
