



# BRAKE PAD XTRA

## P 78 021X

The P 78 021X Xtra brake pad is synonymous with reliability

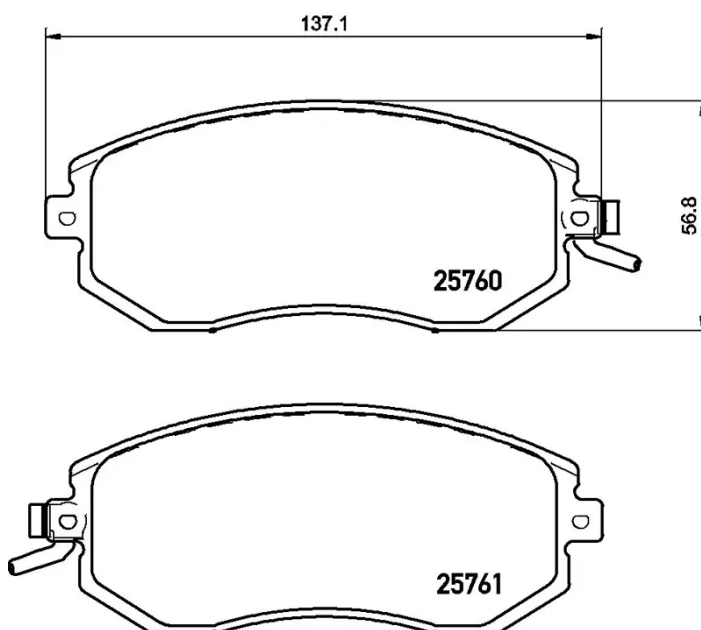
Brembo Xtra brake pads, developed to enhance the advantages of the Xtra and Max discs, are made using the special BRM X L01 compound which consists of more than 30 different components. Compared with the compound used for original-equivalent pads, the new solution assures a higher friction coefficient, which translates to more precise and stable braking, at both high and low temperatures. All this makes for greater driving comfort and improved pedal modularity, without compromising the product's mileage output.



- ✓ OE-equivalent
- ✓ Brembo quality
- ✓ ECE-R90 certificate
- ✓ Safety
- ✓ Performance
- ✓ Sports driving
- ✓ With accessories

### Technical specifications

EAN code <b>8020584069233</b>	Axle <b>Front</b>	Thickness <b>17 mm</b>
Width <b>137 mm</b>	Height <b>57 mm</b>	Braking system <b>Tokico</b>
Wear indicator <b>Acoustic</b>	WVA number <b>25760,25761</b>	Accessories <b>With accessories</b> <b>With anti-squeal shim</b>



## COMPATIBLE OE PART NUMBERS

26296AJ02A	SUBARU
------------	--------

26296CC000	SUBARU
------------	--------

26296FJ020	SUBARU
------------	--------

26296SC000	SUBARU
------------	--------

26296SC010	SUBARU
------------	--------

SU00304090	SUBARU
------------	--------

SU00304090	TOYOTA
------------	--------

SU00310626	TOYOTA
------------	--------

SU00310627	TOYOTA
------------	--------