



BRAKE PAD

P 83 099

The P 83 099 brake pad is synonymous with reliability

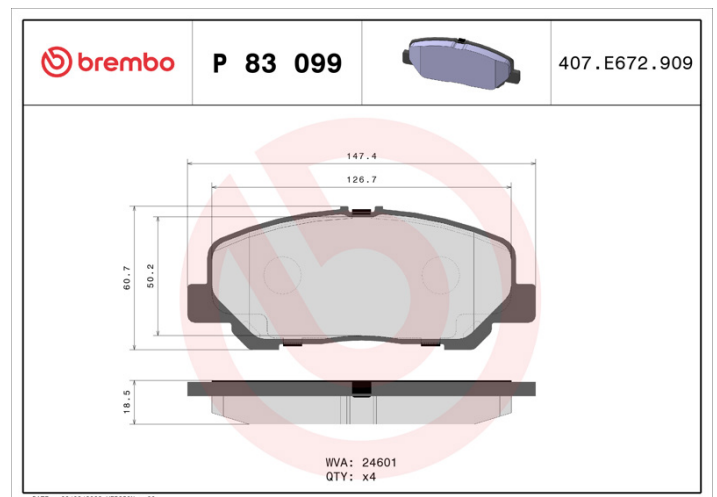
The Brembo brake pad guarantees ultimate safety when braking thanks to the use of more than 100 different compounds, designed according to the type of vehicle and use. Stopping distances reduced to a minimum, maximum driving comfort and silent operation are the most important features of Brembo materials. Brembo brake pads are supplied together with an extensive range of accessories and assembly kits for professional-standard installation.

- ✓ OE-equivalent
- ✓ Brembo quality
- ✓ ECE-R90 certificate
- ✓ Safety
- ✓ Performance
- ✓ Comfort



Technical specifications

EAN code	Axle	Thickness
8020584062371	Front	18 mm
Width	Height	Braking system
148 mm	61 mm	Akebono
Wear indicator	WVA number	
Prepared for wear indicator	24601	



COMPATIBLE VEHICLES

COMPATIBLE OE PART NUMBERS

0446528520

TOYOTA