



BRAKE PAD

P 83 103

The P 83 103 brake pad is synonymous with reliability

The Brembo brake pad guarantees ultimate safety when braking thanks to the use of more than 100 different compounds, designed according to the type of vehicle and use. Stopping distances reduced to a minimum, maximum driving comfort and silent operation are the most important features of Brembo materials. Brembo brake pads are supplied together with an extensive range of accessories and assembly kits for professional-standard installation.

- ✓ OE-equivalent
- ✓ Brembo quality
- ✓ ECE-R90 certificate
- ✓ Safety
- ✓ Performance
- ✓ Comfort



Technical specifications

EAN code
8020584090893

Axle
Front

Thickness
17 mm

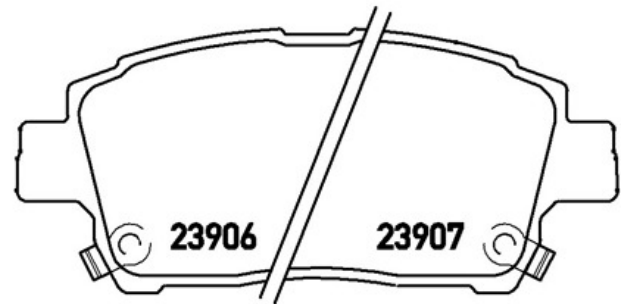
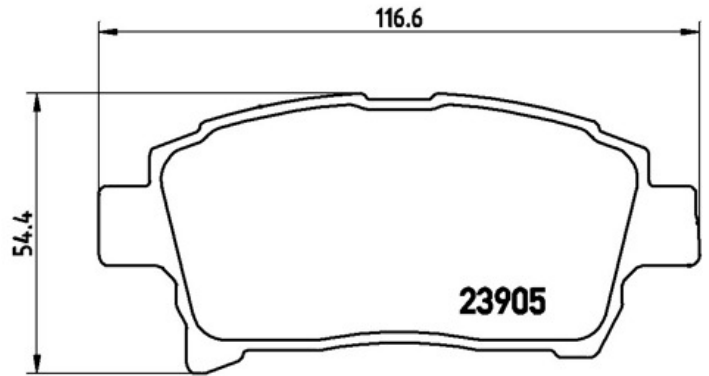
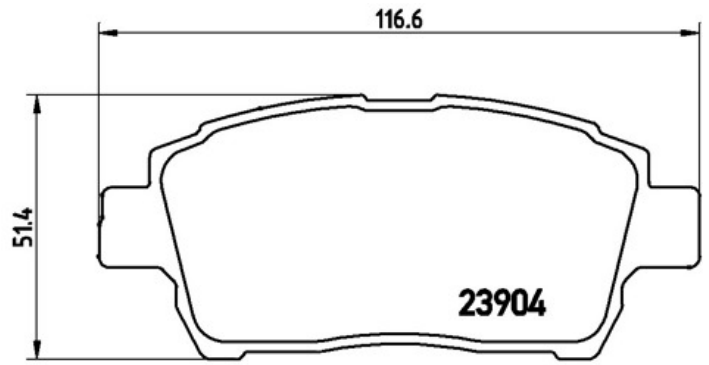
Width
117 mm

Height
51 mm

Braking system
Akebono

Wear indicator
Acoustic

WVA number
23904,23905,23906,23907



COMPATIBLE VEHICLES