



# BRAKE PAD

## P 85 041

The P 85 041 brake pad is synonymous with reliability

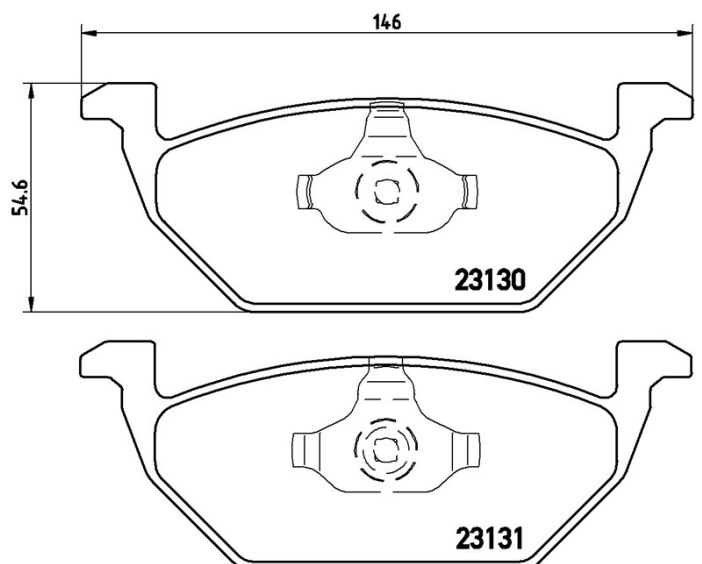
The Brembo brake pad guarantees ultimate safety when braking thanks to the use of more than 100 different compounds, designed according to the type of vehicle and use. Stopping distances reduced to a minimum, maximum driving comfort and silent operation are the most important features of Brembo materials. Brembo brake pads are supplied together with an extensive range of accessories and assembly kits for professional-standard installation.

- ✓ OE-equivalent
- ✓ Brembo quality
- ✓ ECE-R90 certificate
- ✓ Safety
- ✓ Performance
- ✓ Comfort



### Technical specifications

EAN code	Axle	Thickness
<b>8020584058442</b>	<b>Front</b>	<b>20 mm</b>
Width	Height	Braking system
<b>146 mm</b>	<b>55 mm</b>	<b>Teves</b>
Wear indicator	WVA number	Accessories
<b>Without</b>	<b>23131,23130</b>	<b>With piston clip</b>



COMPATIBLE VEHICLES

## COMPATIBLE OE PART NUMBERS

1J0615115 AUDI

1J0698151 AUDI

1J0698151A AUDI

1J0698151B AUDI

1J0698151C AUDI

1J0698151H AUDI

1J0698151J AUDI

1JE698151B AUDI

1KD698151 AUDI

1S0698151 AUDI

1S0698151A AUDI

1S0698151B AUDI

1S0698151C AUDI

5C0698151 AUDI

5Z0698151A AUDI

5Z0698151B AUDI

6C0698151 AUDI

6C0698151A AUDI

6C0698151B AUDI

6C0698151C AUDI

6Q0698151 AUDI

6R0698151A AUDI

6R0698151B AUDI

6RD698151A AUDI

JZW698151A AUDI

JZW698151AF AUDI

B3501015EY BESTURN (FAW)

SHZ3501082 BRILLIANCE

1J0698151 SEAT

1J0698151A SEAT

1J0698151B SEAT

1J0698151C SEAT

1J0698151H SEAT

1J0698151J SEAT

1JE698151B SEAT

1KD698151 SEAT

1S0698151 SEAT

1S0698151A SEAT

1S0698151B SEAT

1S0698151C SEAT

2Q0698151 SEAT

5C0698151 SEAT

5Z0698151A SEAT

5Z0698151B SEAT

6C0698151 SEAT

6C0698151A	SEAT
6C0698151B	SEAT
6C0698151C	SEAT
6Q0698151	SEAT
6R0698151A	SEAT
6R0698151B	SEAT
6RD698151A	SEAT
JZW698151A	SEAT
JZW698151AF	SEAT
1J0698151	SKODA
1J0698151A	SKODA
1J0698151B	SKODA
1J0698151C	SKODA
1J0698151H	SKODA
1J0698151J	SKODA
1JE698151B	SKODA
1KD698151	SKODA
1S0698151	SKODA
1S0698151A	SKODA
1S0698151B	SKODA
1S0698151C	SKODA
2Q0698151T	SKODA
5C0698151	SKODA
5Z0698151A	SKODA
5Z0698151B	SKODA
6C0698151	SKODA
6C0698151A	SKODA
6C0698151B	SKODA
6C0698151C	SKODA
6C0698151D	SKODA
6Q0698151	SKODA
6R0698151A	SKODA
6R0698151B	SKODA
6RD698151	SKODA
6RD698151A	SKODA
JZW698151A	SKODA
JZW698151AF	SKODA
JZW698302CJ	SKODA
18D698151	SKODA (SVW)
1KD698151	SKODA (SVW)
6RD698151	SKODA (SVW)
6RD698151B	SKODA (SVW)
180698151A	VW
180698151B	VW
1J0698151	VW
1J0698151A	VW
1J0698151B	VW
1J0698151C	VW

1J0698151H	VW
1J0698151J	VW
1JE698151	VW
1JE698151B	VW
1KD698151	VW
1S0698151	VW
1S0698151A	VW
1S0698151B	VW
1S0698151C	VW
1S0698151D	VW
1S0698151E	VW
2Q0698151A	VW
2Q0698151AB	VW
2QB698151	VW
5C0698151	VW
5C0698151B	VW
5Z0698151A	VW
5Z0698151B	VW
6C0698151	VW
6C0698151A	VW
6C0698151B	VW
6C0698151C	VW
6Q0698151	VW
6R0698151A	VW
6R0698151B	VW
6RD698151A	VW
JZW698151A	VW
JZW698151AF	VW
JZW698302CD	VW
180698151	VW (FAW)
180698151B	VW (FAW)
1KD698151	VW (FAW)
5C0698151	VW (FAW)
6QD698151	VW (FAW)
6RD698151B	VW (FAW)
JZW698151AF	VW (FAW)
L180698151	VW (FAW)
L180698151B	VW (FAW)
L1J0698151C	VW (FAW)
L5C0698151	VW (FAW)
L6RD698151	VW (FAW)
L6RD698151A	VW (FAW)
L6RD698151B	VW (FAW)
18D698151	VW (SVW)
1KD698151	VW (SVW)
6RD698151B	VW (SVW)
L180698151	VW (SVW)