



BRAKE PAD

P 86 035

The P 86 035 brake pad is synonymous with reliability

The Brembo brake pad guarantees ultimate safety when braking thanks to the use of more than 100 different compounds, designed according to the type of vehicle and use. Stopping distances reduced to a minimum, maximum driving comfort and silent operation are the most important features of Brembo materials. Brembo brake pads are supplied together with an extensive range of accessories and assembly kits for professional-standard installation.

- ✓ OE-equivalent
- ✓ Brembo quality
- ✓ ECE-R90 certificate
- ✓ Safety
- ✓ Performance
- ✓ Comfort
- ✓ With accessories



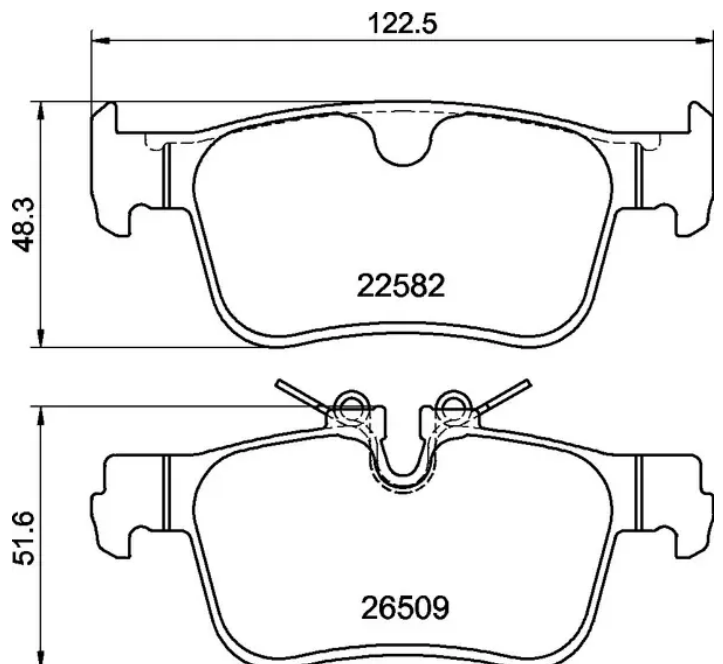
Technical specifications

EAN code Axle Thickness
8020584125786 **Rear** **16 mm**

Width Height
123 mm **48 mm**

Wear indicator WVA number
Prepared for wear indicator **22582,26509**

Accessories
With accessories
With anti-squeal shim
With piston clip



COMPATIBLE OE PART NUMBERS

32287430 VOLVO

32287431 VOLVO
