



# SPORT | TY3 BRAKE DISC

## 59.E114.22

The 59.E114.22 brake disc is synonymous with reliability

Type-3 slotting used to distinguish the Brembo SPORT | TY3 brake disc is widely used in professional motorsports. It therefore offers superior initial response with excellent release characteristics, improving braking performance while giving the vehicle an aggressive appearance. The Brembo logo on the braking surface adds an exclusive and unique touch to the vehicle. The SPORT | TY3 brake discs are plug-and-play since they replace OE discs directly.

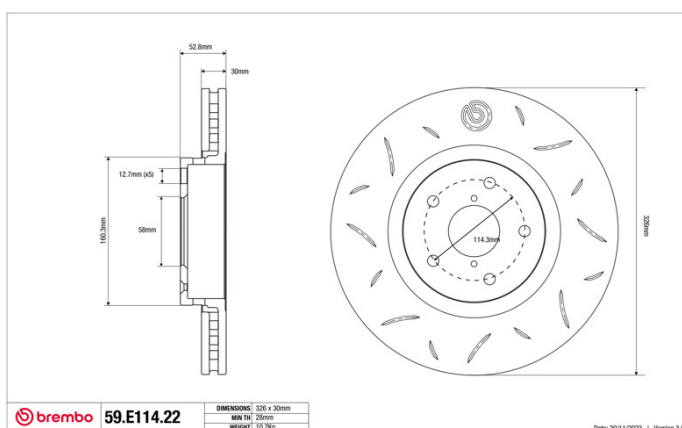


- ✓ OE-equivalent
- ✓ Brembo quality
- ✓ ECE-R90 certificate
- ✓ Safety
- ✓ Performance
- ✓ Comfort
- ✓ Sports driving
- ✓ Sparty look

### Technical specifications



Diameter	Thickness (TH)	Height (A)
<b>326 mm</b>	<b>30 mm</b>	<b>53 mm</b>
Number of holes (C)	Brake disc type	Centering
<b>5</b>	<b>Solid</b>	<b>58 mm</b>
Min. thickness	Tightening torque	Axle
<b>28,5 mm</b>	<b>100 Nm</b>	<b>Front</b>
Units per box	EAN code	
<b>0</b>	<b>8020584604939</b>	



**brembo** 59.E114.22

DIMENSIONI	226 x 30mm
MIN TH	28mm
WEIGHT	10.2kg

Date: 2011/2023 | Version: 3.00

