



SPORT | TY3 BRAKE DISC

59.E115.00

The 59.E115.00 brake disc is synonymous with reliability

Type-3 slotting used to distinguish the Brembo SPORT | TY3 brake disc is widely used in professional motorsports. It therefore offers superior initial response with excellent release characteristics, improving braking performance while giving the vehicle an aggressive appearance. The Brembo logo on the braking surface adds an exclusive and unique touch to the vehicle. The SPORT | TY3 brake discs are plug-and-play since they replace OE discs directly.

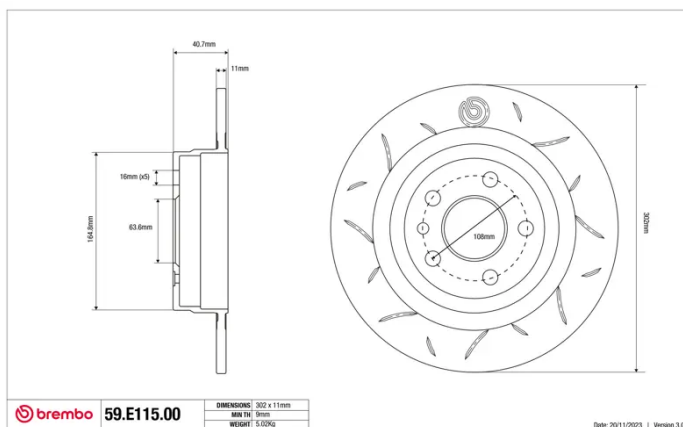


- ✓ OE-equivalent
- ✓ Brembo quality
- ✓ ECE-R90 certificate
- ✓ Safety
- ✓ Performance
- ✓ Comfort
- ✓ Sports driving
- ✓ Sparty look

Technical specifications



| | | |
|---------------------|----------------------|--------------|
| Diameter | Thickness (TH) | Height (A) |
| 302 mm | 11 mm | 41 mm |
| Number of holes (C) | Brake disc type | Centering |
| 5 | Solid | 64 mm |
| Min. thickness | Tightening torque | Axle |
| 9 mm | 140 Nm | Rear |
| Units per box | EAN code | |
| 1 | 8020584605738 | |



| | |
|-------------------|------------------------|
| 59.E115.00 | DIMENSIONS: 302 x 11mm |
| | MIN TH: 9mm |
| | WEIGHT: 5.02kg |

Date: 2011/2023 | Version: 3.00