



## SP BRAKE PAD 07BB20SP

The 07BB20SP brake pad is synonymous with reliability

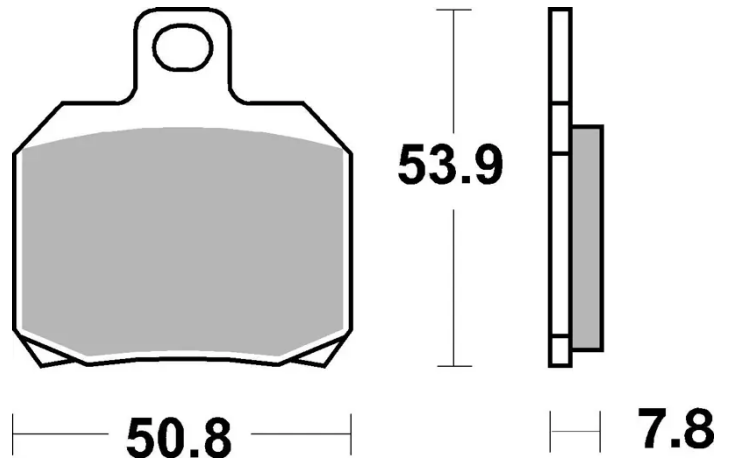
Sintered compound, for rear application and stable in all conditions of use.

- ✓ OE-equivalent
- ✓ Brembo quality
- ✓ ECE-R90 certificate
- ✓ Safety
- ✓ Comfort



### Technical specifications

Width mm	Height <b>53,88</b> mm	Thickness <b>7,8</b> mm
Compound <b>Sinter</b>	Units per box <b>2</b>	



COMPATIBLE VEHICLES