



BRAKE PAD

P 23 175

The P 23 175 brake pad is synonymous with reliability



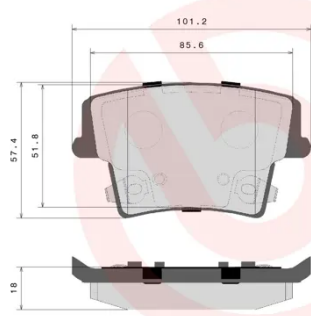
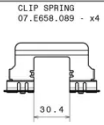
The Brembo brake pad guarantees ultimate safety when braking thanks to the use of more than 100 different compounds, designed according to the type of vehicle and use. Stopping distances reduced to a minimum, maximum driving comfort and silent operation are the most important features of Brembo materials. Brembo brake pads are supplied together with an extensive range of accessories and assembly kits for professional-standard installation.

- ✓ OE-equivalent
- ✓ Brembo quality
- ✓ ECE-R90 certificate
- ✓ Safety
- ✓ Performance
- ✓ Comfort
- ✓ With accessories



Technical specifications

EAN code 8020584084564	Axle Rear	Thickness 18 mm
Width 101 mm	Height 58 mm	Braking system Bosch
Wear indicator Acoustic	WVA number 24163	Accessories With anti-squeal shim With piston clip With accessories

	P 23 175		407.E672.825
		 <p>CLIP SPRING 07.E658.089 - x4</p>	
<p>WVA: 24163 QTY: x4</p>			
<p><small>DATE : 09/09/2022 VERSION : 00</small></p>			

COMPATIBLE VEHICLES

COMPATIBLE OE PART NUMBERS

05139191AA CHRYSLER

05142561AA CHRYSLER

05142566AA CHRYSLER

05142566AB CHRYSLER

05142566AC CHRYSLER

5139191AA CHRYSLER

5142561AA CHRYSLER

5142566AA CHRYSLER

5142566AB CHRYSLER

5142566AC CHRYSLER

K05142566AC CHRYSLER

5142566AC DODGE

K05142561AA FIAT

K05142566AB FIAT

K05139191AA LANCIA

K05142561AB LANCIA

K05142566AA LANCIA

K05142566AB LANCIA

K05142566AC LANCIA
