



# BRAKE DISC PAINTED

## 08.A273.11

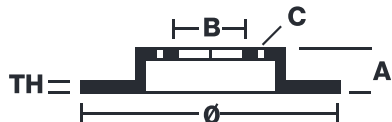
The 08.A273.11 painted brake disc is synonymous with reliability

The Brembo brake disc with special UV paint treatment guarantees superior corrosion resistance for the product, thanks to the protective coating on the outer edges and on the disc hub. The UV paint not only gives the disc a clean, shiny appearance but is also beneficial for the environment as the water-based UV paint treatment does not require the use of chemical solvents and is a low energy consumption process.

- ✓ OE-equivalent
- ✓ Brembo quality
- ✓ ECE-R90 certificate
- ✓ Safety
- ✓ Anti-corrosion

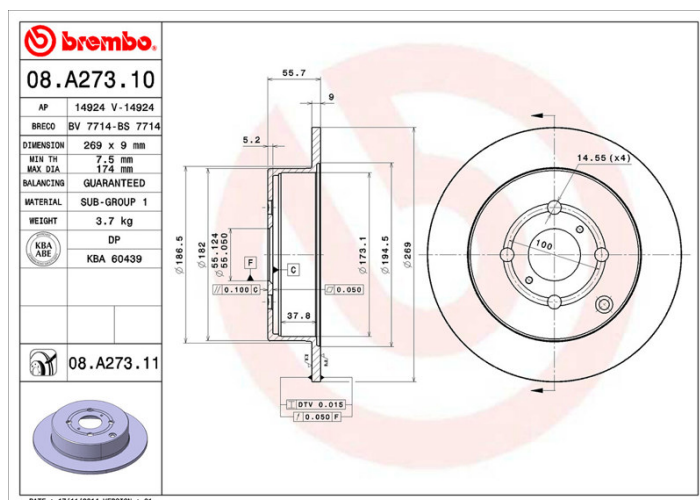


### Technical specifications



EAN code <b>8020584216446</b>	Axle <b>Rear</b>	Diameter Ø <b>269 mm</b>
Thickness (TH) <b>9 mm</b>	Height (A) <b>56 mm</b>	Number of holes (C) <b>4</b>
Brake disc type <b>Solid</b>	Centering (B) <b>55 mm</b>	Min. thickness <b>7,5 mm</b>

Tightening torque  
**103 Nm**



COMPATIBLE VEHICLES

## COMPATIBLE OE PART NUMBERS

424310D050 TOYOTA

---

424310E070 TOYOTA

---

4243112210 TOYOTA

---

4243112250 TOYOTA

---

4243147020 TOYOTA

---

4243152050 TOYOTA

---

4243152060 TOYOTA

---