



BRAKE DISC

09.6752.20

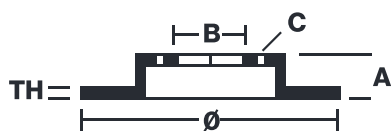
The 09.6752.20 brake disc is synonymous with reliability

The Brembo brake disc is fully interchangeable with an Original Equipment brake disc. The control of the entire production cycle allows Brembo to offer brake discs with outstanding performance levels, reliability, durability and comfort in all conditions of use. All Brembo brake discs are accompanied by the ECE-R90 homologation.

- ✓ OE-equivalent
- ✓ Brembo quality
- ✓ ECE-R90 certificate
- ✓ Safety
- ✓ Fastening screws



Technical specifications



EAN code **8020584675229** Axle **Front and rear**

Thickness (TH) **23 mm** Height (A) **47 mm**

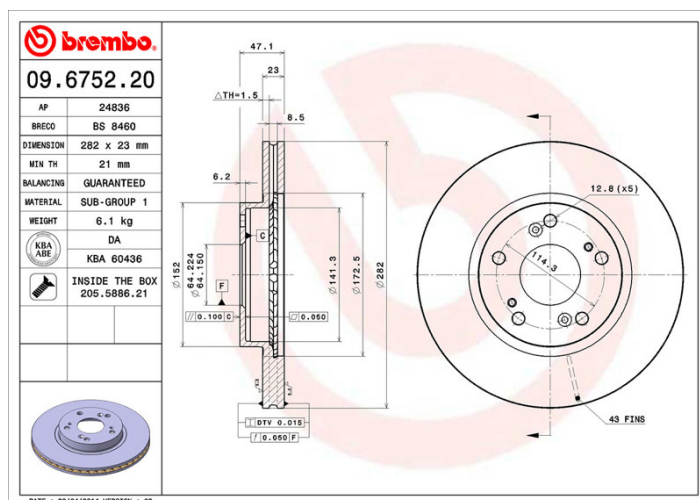
Brake disc type **Ventilated** Centering (B) **64 mm**

Tightening torque **108 Nm**

Diameter \varnothing **282 mm**

Number of holes (C) **5**

Min. thickness **21 mm**



COMPATIBLE VEHICLES

COMPATIBLE OE PART NUMBERS

45251S7AN10	HONDA
-------------	-------

45251SCAE00	HONDA
-------------	-------

45251SMCN10	HONDA
-------------	-------

45251SMCN11	HONDA
-------------	-------
