



BRAKE DISC PAINTED

09.A148.11

The 09.A148.11 painted brake disc is synonymous with reliability

The Brembo brake disc with special UV paint treatment guarantees superior corrosion resistance for the product, thanks to the protective coating on the outer edges and on the disc hub. The UV paint not only gives the disc a clean, shiny appearance but is also beneficial for the environment as the water-based UV paint treatment does not require the use of chemical solvents and is a low energy consumption process.

- ✓ OE-equivalent
- ✓ Brembo quality
- ✓ ECE-R90 certificate
- ✓ Safety
- ✓ Anti-corrosion

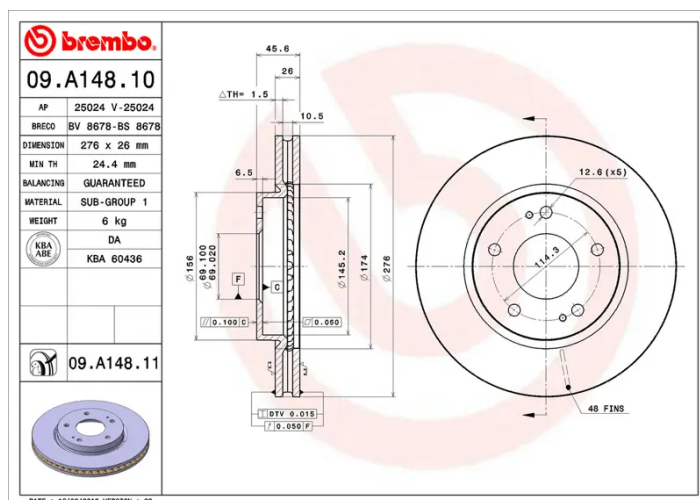


Technical specifications



EAN code 8020584031643	Axle Front	Diameter Ø 276 mm
Thickness (TH) 26 mm	Height (A) 46 mm	Number of holes (C) 5
Brake disc type Ventilated	Centering (B) 69 mm	Min. thickness 24,4 mm

Tightening torque
98 Nm



COMPATIBLE VEHICLES

COMPATIBLE OE PART NUMBERS

4615A054	MITSUBISHI
----------	------------

4615A069	MITSUBISHI
----------	------------

4615A089	MITSUBISHI
----------	------------

MR493550	MITSUBISHI
----------	------------

MR493551	MITSUBISHI
----------	------------

MR510965	MITSUBISHI
----------	------------

MR510966	MITSUBISHI
----------	------------

MR510967	MITSUBISHI
----------	------------