



BRAKE DISC PAINTED

09.A427.11

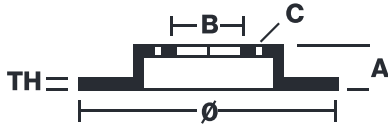
The 09.A427.11 painted brake disc is synonymous with reliability

The Brembo brake disc with special UV paint treatment guarantees superior corrosion resistance for the product, thanks to the protective coating on the outer edges and on the disc hub. The UV paint not only gives the disc a clean, shiny appearance but is also beneficial for the environment as the water-based UV paint treatment does not require the use of chemical solvents and is a low energy consumption process.

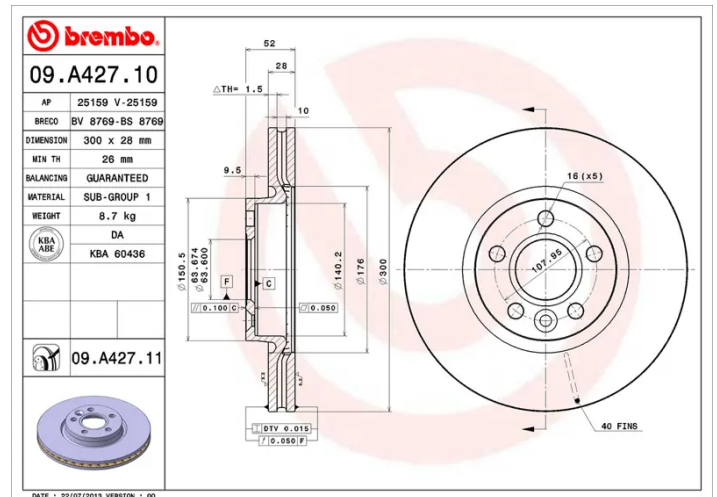
- ✓ OE-equivalent
- ✓ Brembo quality
- ✓ ECE-R90 certificate
- ✓ Safety
- ✓ Anti-corrosion



Technical specifications



EAN code 8020584019382	Axle Front	Diameter Ø 300 mm
Thickness (TH) 28 mm	Height (A) 52 mm	Number of holes (C) 5
Brake disc type Ventilated	Centering (B) 64 mm	Min. thickness 26 mm
Tightening torque 170 Nm		



COMPATIBLE VEHICLES

COMPATIBLE OE PART NUMBERS

1379965	FORD
1384689	FORD
1405510	FORD
1420600	FORD
1420601	FORD
1469085	FORD
1500158	FORD
6G912C375FA	FORD
6G912C375FB	FORD
7G911125BA	FORD
LR000571	LAND ROVER
LR007055	LAND ROVER
LR068925	LAND ROVER
30736311	VOLVO
307363110	VOLVO
30769056	VOLVO
307690560	VOLVO
31202327	VOLVO
312023270	VOLVO
31202331	VOLVO
312023310	VOLVO
313413820	VOLVO
31358885	VOLVO (CHANGAN)
31358885	VOLVO ASIA