



BRAKE DISC

09.A716.20

The **09.A716.20** brake disc is synonymous with reliability

The Brembo brake disc is fully interchangeable with an Original Equipment brake disc. The control of the entire production cycle allows Brembo to offer brake discs with outstanding performance levels, reliability, durability and comfort in all conditions of use. All Brembo brake discs are accompanied by the ECE-R90 homologation.

- ✓ OE-equivalent
- ✓ Brembo quality
- ✓ ECE-R90 certificate
- ✓ Safety



Technical specifications



EAN code
8020584019153

Axle
Front

Diameter Ø
296 mm

Thickness (TH)
26 mm

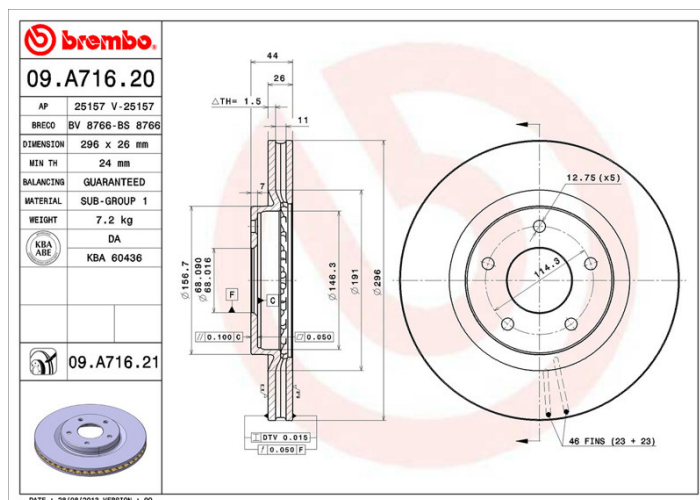
Height (A)
44 mm

Number of holes (C)
5

Brake disc type
Ventilated

Centering (B)
68 mm

Min. thickness
24 mm



COMPATIBLE VEHICLES

COMPATIBLE OE PART NUMBERS

40206JE20B	DONGFENG FENGDU
------------	-----------------

402061KC0A	NISSAN
------------	--------

402061KC0B	NISSAN
------------	--------

402061KC1A	NISSAN
------------	--------

402061KC1B	NISSAN
------------	--------

40206JG00A	NISSAN
------------	--------

40206JG00B	NISSAN
------------	--------

40206JG00C	NISSAN
------------	--------

402064CL0A	NISSAN (DFAC)
------------	---------------

40206JE20A	NISSAN (DFAC)
------------	---------------

40206JE20B	NISSAN (DFAC)
------------	---------------

402064CL0A	RENAULT (DFAC)
------------	----------------

402064CL0A	VENUCIA
------------	---------