



BRAKE DISC

09.B355.10

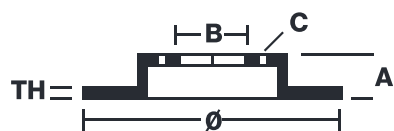
The **09.B355.10** brake disc is synonymous with reliability

The Brembo brake disc is fully interchangeable with an Original Equipment brake disc. The control of the entire production cycle allows Brembo to offer brake discs with outstanding performance levels, reliability, durability and comfort in all conditions of use. All Brembo brake discs are accompanied by the ECE-R90 homologation.

- ✓ OE-equivalent
- ✓ Brembo quality
- ✓ ECE-R90 certificate
- ✓ Safety
- ✓ Fastening screws



Technical specifications



EAN code
8020584035825

Axle
Front

Diameter Ø
276 mm

Thickness (TH)
26 mm

Height (A)
46 mm

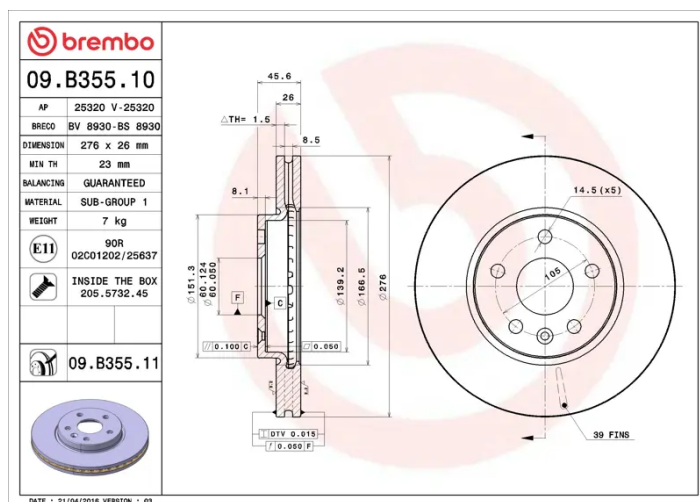
Number of holes (C)
5

Brake disc type
Ventilated

Centering (B)
60 mm

Min. thickness
23 mm

Tightening torque
120 Nm



COMPATIBLE VEHICLES

COMPATIBLE OE PART NUMBERS

13502045	BUICK (SGM)
----------	-------------

13502824	BUICK (SGM)
----------	-------------

13502044	CHEVROLET
----------	-----------

13502045	CHEVROLET
----------	-----------

13502824	CHEVROLET
----------	-----------

23118274	CHEVROLET
----------	-----------

13502045	CHEVROLET (SGM)
----------	-----------------

13502824	CHEVROLET (SGM)
----------	-----------------

13502050	GMC
----------	-----

13502044	OPEL
----------	------

13502045	OPEL
----------	------

569069	OPEL
--------	------

569073	OPEL
--------	------

95527030	OPEL
----------	------

13502044	VAUXHALL
----------	----------

13502045	VAUXHALL
----------	----------

95527030	VAUXHALL
----------	----------