

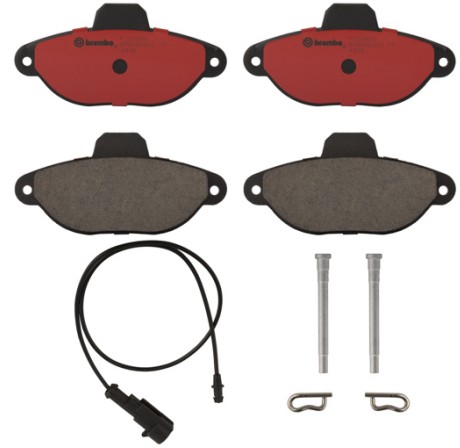


BRAKE PAD NAO P23060N

The P23060N NAO brake pad is synonymous with reliability

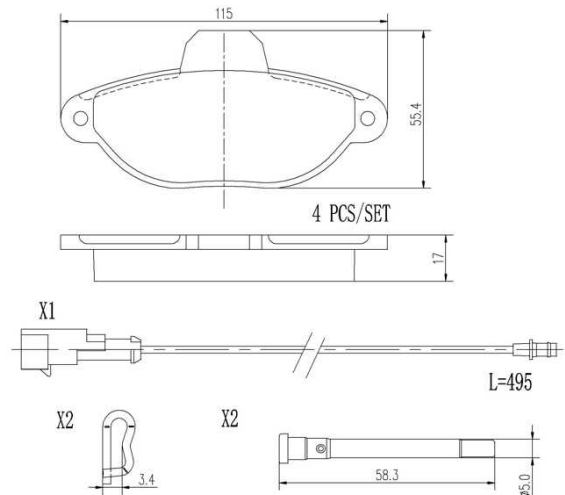
Brembo NAO brake pads stand out for their ultimate braking comfort, reduced friction wear and low dust mission, which makes for cleaner rims and reduced maintenance requirements. The advanced friction material in keeping with the strictest environmental standards is the main distinguishing feature of NAO compounds.

- ✓ OE-equivalent
- ✓ Brembo quality
- ✓ Safety
- ✓ Comfort
- ✓ Durability
- ✓ Dust reduction
- ✓ With accessories



Technical specifications

EAN code 8020584088142	Axle Front	Thickness 17 mm
Width 115 mm	Height 55 mm	Braking system Bendix
Wear indicator Electric	WVA number 21436	Accessories With anti-squeal shim With accessories With brake caliper bolts



COMPATIBLE VEHICLES

COMPATIBLE OE PART NUMBERS

5892736	FIAT
---------	------

71737178	FIAT
----------	------

71772226	FIAT
----------	------

8660004666	FIAT
------------	------

8671016577	FIAT
------------	------
