



# BRAKE PAD NAO P28089N

**The P28089N NAO brake pad is synonymous with reliability**

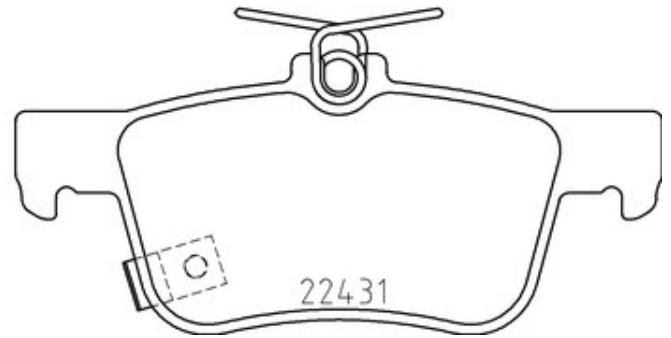
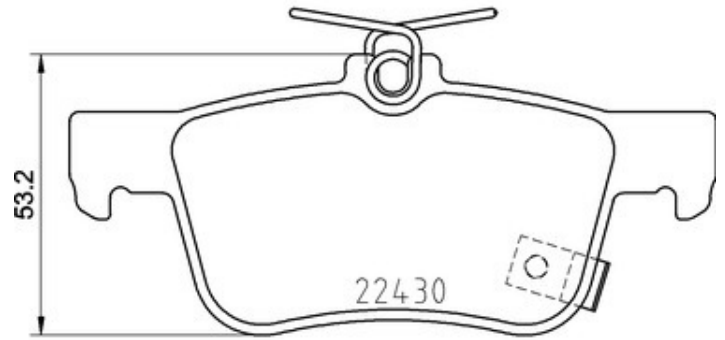
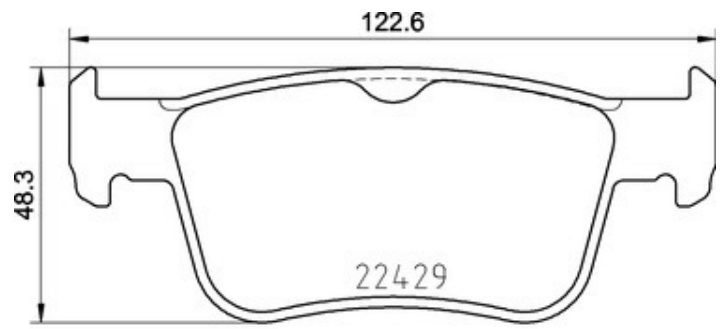
Brembo NAO brake pads stand out for their ultimate braking comfort, reduced friction wear and low dust mission, which makes for cleaner rims and reduced maintenance requirements. The advanced friction material in keeping with the strictest environmental standards is the main distinguishing feature of NAO compounds.

- ✓ OE-equivalent
- ✓ Brembo quality
- ✓ Safety
- ✓ Comfort
- ✓ Durability
- ✓ Dust reduction
- ✓ With accessories



## Technical specifications

EAN code	Axle	Thickness
<b>8020584069776</b>	<b>Rear</b>	<b>15 mm</b>
Width	Height	Braking system
<b>122 mm</b>	<b>53 mm</b>	<b>Teves</b>
Wear indicator	WVA number	Accessories
<b>Acoustic</b>	<b>22430,22431,22429</b>	<b>With anti-squeal shim</b>



COMPATIBLE VEHICLES

## COMPATIBLE OE PART NUMBERS

43022TJBA02 ACURA

---

3502180AW01 CHANGAN

---

52010580300 CHANGAN

---

3502110XKU00A HAVAL

---

3502110XKU0PA HAVAL

---

3502110XKZ1DA HAVAL

---

43022T20A01 HONDA

---

43022T60A01 HONDA

---

43022TBAA02 HONDA

---

43022TBFA01 HONDA

---

43022TEAT12 HONDA

---

43022TGHA01 HONDA

---

43022TGHA11 HONDA

---

43022TGNG02 HONDA

---

43022TYFE01 HONDA

---

43022TBAH01 HONDA (DONGFENG)

---

43022TEAH01 HONDA (DONGFENG)

---

43022TEAH02 HONDA (DONGFENG)

---

43022TEAT11 HONDA (DONGFENG)

---

3502110XKU00A WEY

---

3502110XKU47A WEY

---