



BRAKE PAD NAO P30035N

The P30035N NAO brake pad is synonymous with reliability

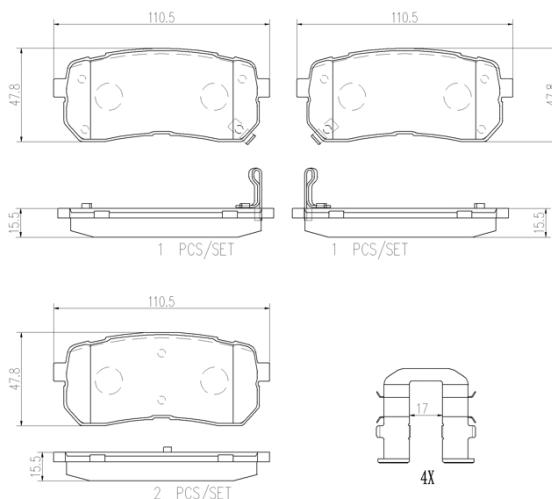
Brembo NAO brake pads stand out for their ultimate braking comfort, reduced friction wear and low dust mission, which makes for cleaner rims and reduced maintenance requirements. The advanced friction material in keeping with the strictest environmental standards is the main distinguishing feature of NAO compounds.

- ✓ OE-equivalent
- ✓ Brembo quality
- ✓ Safety
- ✓ Comfort
- ✓ Durability
- ✓ Dust reduction
- ✓ With accessories



Technical specifications

EAN code 8020584085462	Axle Rear	Thickness 16 mm
Width 111 mm	Height 48 mm	Braking system Mando
Wear indicator Acoustic	WVA number 24600,24686,24599	Accessories With accessories With anti-squeal shim



COMPATIBLE VEHICLES

COMPATIBLE OE PART NUMBERS

3301131XKW09A	HAVAL
583023JA00	HYUNDAI
583023JA51	HYUNDAI
583024HA00	HYUNDAI
583024HA50	HYUNDAI
558302C5A00	HYUNDAI
583024HA30	HYUNDAI (BEIJING)
583024DA00	KIA
583024DE00	KIA
583024HA00	KIA
58302A9A00	KIA
58302A9A10	KIA
58302C5A00	KIA
58302C5A01	KIA
558302C5A00	KIA