



BRAKE PAD PRIME CERAMIC P50121N

The P50121N NAO brake pad is synonymous with reliability

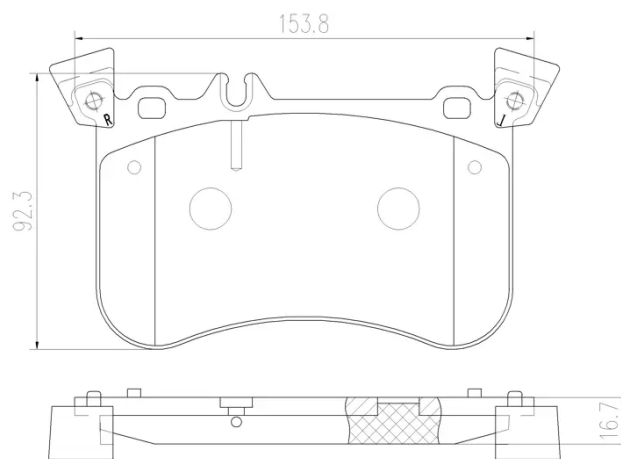
Brembo NAO brake pads stand out for their ultimate braking comfort, reduced friction wear and low dust mission, which makes for cleaner rims and reduced maintenance requirements. The advanced friction material in keeping with the strictest environmental standards is the main distinguishing feature of NAO compounds.

- ✓ OE-equivalent
- ✓ Brembo quality
- ✓ Safety
- ✓ Comfort
- ✓ Durability
- ✓ Dust reduction
- ✓ With accessories



Technical specifications

EAN code 8020584069578	Axle Front	Thickness 17 mm
Width 154 mm	Height 92 mm	Braking system Brembo
Wear indicator Prepared for wear indicator	WVA number 25219	Accessories With anti-squeal shim With counterweights



4 PCS/SET

COMPATIBLE VEHICLES

COMPATIBLE OE PART NUMBERS

0004204100 MERCEDES-BENZ

0004206804 MERCEDES-BENZ

0004207800 MERCEDES-BENZ

0074201220 MERCEDES-BENZ

0074203120 MERCEDES-BENZ

0084203220 MERCEDES-BENZ

A0004204100 MERCEDES-BENZ

A0004206804 MERCEDES-BENZ

A0004207800 MERCEDES-BENZ

A0074201220 MERCEDES-BENZ

A0074203120 MERCEDES-BENZ

A0084203220 MERCEDES-BENZ
