



# BRAKE PAD PRIME CERAMIC P56054N

**The P56054N NAO brake pad is synonymous with reliability**

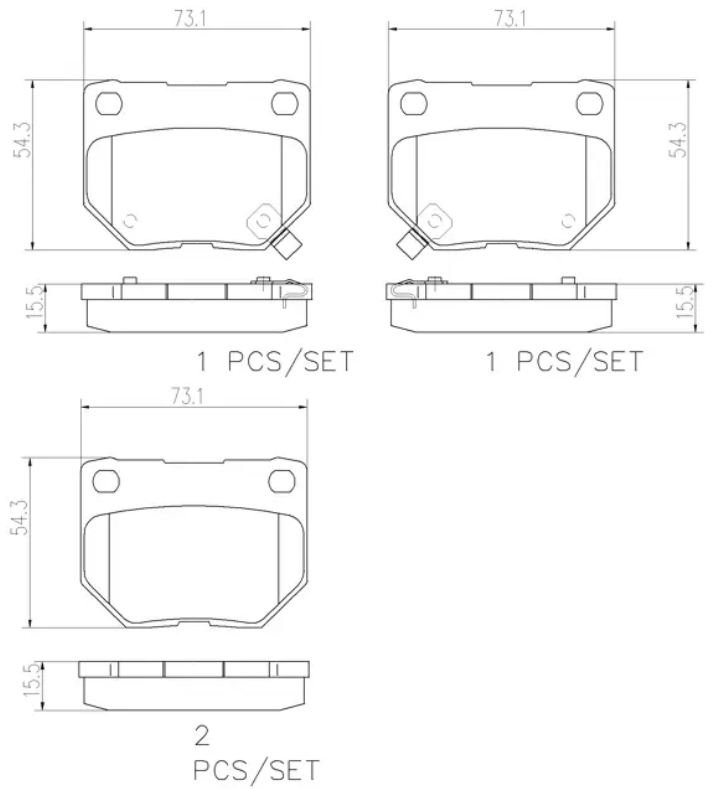
Brembo NAO brake pads stand out for their ultimate braking comfort, reduced friction wear and low dust mission, which makes for cleaner rims and reduced maintenance requirements. The advanced friction material in keeping with the strictest environmental standards is the main distinguishing feature of NAO compounds.

- ✓ OE-equivalent
- ✓ Brembo quality
- ✓ Safety
- ✓ Comfort
- ✓ Durability
- ✓ Dust reduction
- ✓ With accessories



## Technical specifications

EAN code <b>8020584085264</b>	Axle <b>Rear</b>	Thickness <b>16 mm</b>
Width <b>73 mm</b>	Height <b>54 mm</b>	Braking system <b>Akebono</b>
Wear indicator <b>Acoustic</b>	WVA number <b>23383,23381,23382</b>	Accessories <b>With anti-squeal shim</b>



## COMPATIBLE VEHICLES

## COMPATIBLE OE PART NUMBERS

4406004U85	NISSAN
4406004U86	NISSAN
4406011P93	NISSAN
4406043P85	NISSAN
44060AA585	NISSAN
44060AA586	NISSAN
AY060NS003	NISSAN
AY060NS020	NISSAN
AY060NS044	NISSAN
AY060NS904	NISSAN
D406MN1185	NISSAN