



BRAKE PAD PRIME CERAMIC P59051N

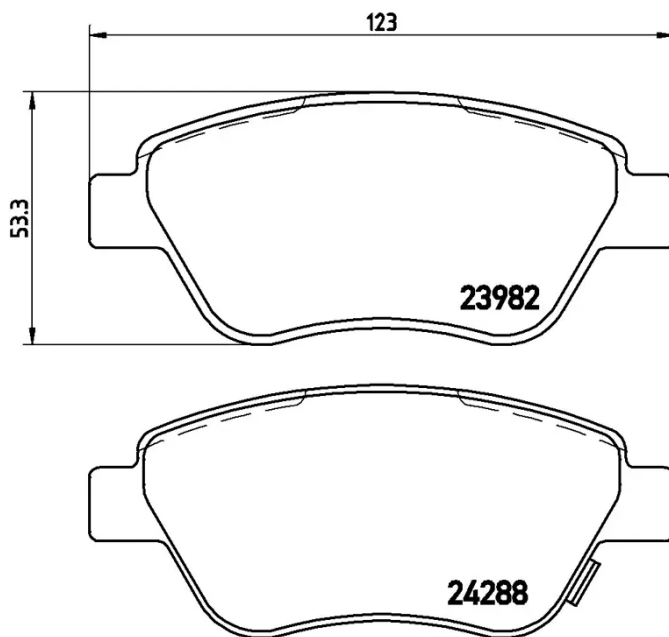
The P59051N NAO brake pad is
synonymous with reliability

Brembo NAO brake pads stand out for their ultimate braking comfort, reduced friction wear and low dust mission, which makes for cleaner rims and reduced maintenance requirements. The advanced friction material in keeping with the strictest environmental standards is the main distinguishing feature of NAO compounds.

- ✓ OE-equivalent
- ✓ Brembo quality
- ✓ Safety
- ✓ Comfort
- ✓ Durability
- ✓ Dust reduction
- ✓ With accessories

Technical specifications

EAN code	Axle	Thickness
8020584113981	Front	18 mm
Width	Height	Braking system
123 mm	53 mm	Bosch
Wear indicator	WVA number	Accessories
Acoustic	23982,24288	With accessories With anti-squeal shim With brake caliper bolts



COMPATIBLE VEHICLES

COMPATIBLE OE PART NUMBERS

93189815 GENERAL MOTORS

93191698 GENERAL MOTORS

1605258 OPEL

1605353 OPEL

1605357 OPEL

1605359 OPEL

1680880580 OPEL

93167073 OPEL

93169174 OPEL

93169254 OPEL

93191697 OPEL

93191698 OPEL

1605226 VAUXHALL

93169174 VAUXHALL

93169254 VAUXHALL
