



BRAKE PAD

P 16 014

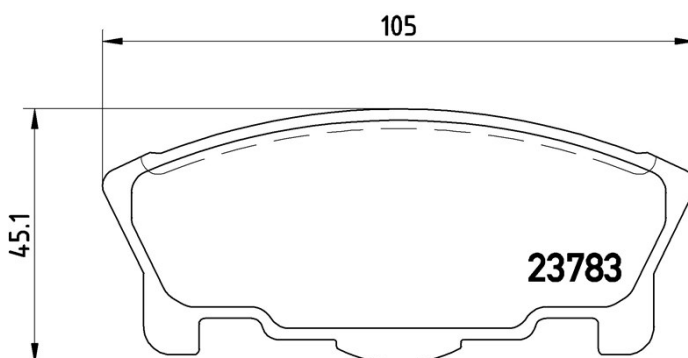
The P 16 014 brake pad is synonymous with reliability

The Brembo brake pad guarantees ultimate safety when braking thanks to the use of more than 100 different compounds, designed according to the type of vehicle and use. Stopping distances reduced to a minimum, maximum driving comfort and silent operation are the most important features of Brembo materials. Brembo brake pads are supplied together with an extensive range of accessories and assembly kits for professional-standard installation.

- ✓ OE-equivalent
- ✓ Brembo quality
- ✓ ECE-R90 certificate
- ✓ Safety
- ✓ Performance
- ✓ Comfort

Technical specifications

EAN code	Axle	Thickness
8020584060247	Front	14 mm
Width	Height	Braking system
105 mm	45 mm	Akebono
Wear indicator	WVA number	
Without	23783	



COMPATIBLE VEHICLES

COMPATIBLE OE PART NUMBERS

0449187210000 DAIHATSU

0449187215000 DAIHATSU

0449187219000 DAIHATSU

0449187226 DAIHATSU

0449187226000 DAIHATSU

0449187230000 DAIHATSU

04491L510S000 DAIHATSU

449187226000 DAIHATSU

AY040KE009 NISSAN
