



BRAKE PAD

P 23 185

The P 23 185 brake pad is synonymous with reliability

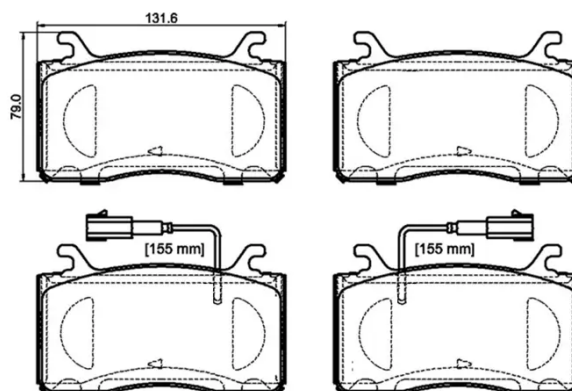
The Brembo brake pad guarantees ultimate safety when braking thanks to the use of more than 100 different compounds, designed according to the type of vehicle and use. Stopping distances reduced to a minimum, maximum driving comfort and silent operation are the most important features of Brembo materials. Brembo brake pads are supplied together with an extensive range of accessories and assembly kits for professional-standard installation.



- ✓ OE-equivalent
- ✓ Brembo quality
- ✓ ECE-R90 certificate
- ✓ Safety
- ✓ Performance
- ✓ Comfort
- ✓ With accessories

Technical specifications

EAN code 8020584087381	Axle Front	Thickness 15 mm
Width 132 mm	Height 79 mm	Braking system Brembo
Wear indicator Electric	WVA number 22094	Accessories With accessories With anti-squeal shim With piston clip



COMPATIBLE VEHICLES

COMPATIBLE OE PART NUMBERS

68317364AA ALFA ROMEO

68400577AA ALFA ROMEO

77367733 ALFA ROMEO

77368321 ALFA ROMEO
