



# BRAKE PAD XTRA

## P 24 055X

The P 24 055X Xtra brake pad is synonymous with reliability

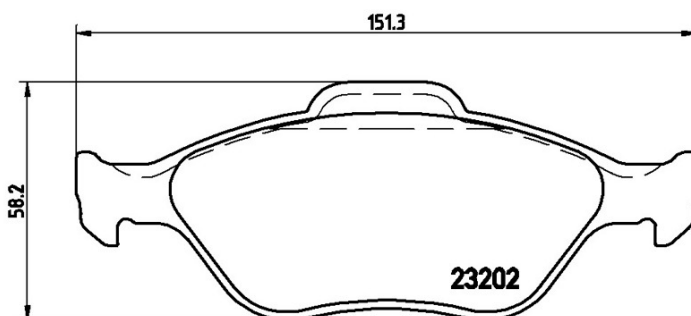
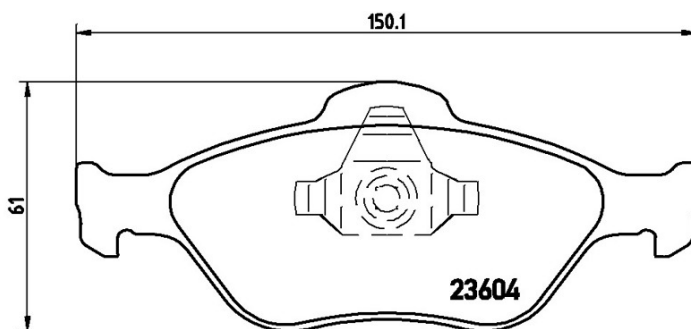
Brembo Xtra brake pads, developed to enhance the advantages of the Xtra and Max discs, are made using the special BRM X L01 compound which consists of more than 30 different components. Compared with the compound used for original-equivalent pads, the new solution assures a higher friction coefficient, which translates to more precise and stable braking, at both high and low temperatures. All this makes for greater driving comfort and improved pedal modularity, without compromising the product's mileage output.



- ✓ OE-equivalent
- ✓ Brembo quality
- ✓ ECE-R90 certificate
- ✓ Safety
- ✓ Performance
- ✓ Sports driving

### Technical specifications

EAN code	Axle	Thickness
<b>8020584068748</b>	<b>Front</b>	<b>19 mm</b>
Width	Height	Braking system
<b>150 mm</b>	<b>58 mm</b>	<b>Teves</b>
Wear indicator	WVA number	
<b>Without</b>	<b>23202,23604</b>	



## COMPATIBLE OE PART NUMBERS

1101462 FORD

1101463 FORD

1101464 FORD

1128463 FORD

1145299 FORD

1206064 FORD

1236880 FORD

1521328 FORD

1783839 FORD

1911169 FORD

2S612K021AA FORD

MEY96J2K021DD FORD

MEYS6J2K021DD FORD

MEYS6J2K021DE FORD

MEYS6J2K021DF FORD

XS4Q8K579DA FORD

YS612K021CA FORD

YS612K021DA FORD

YS6J2K021DA FORD

YS6J2K021DB FORD

YS6J2K021DC FORD

1E073323Z MAZDA

1E073323ZA MAZDA

1E073323ZB MAZDA

1E103323Z MAZDA

D3Y03328ZA MAZDA

D3Y03328ZB MAZDA

D3Y03328ZC MAZDA

DDY23328Z MAZDA

DDY23328Z9C MAZDA

DDY23328ZA MAZDA

DDY23328ZA9C MAZDA