



BRAKE PAD

P 30 098

The P 30 098 brake pad is synonymous with reliability

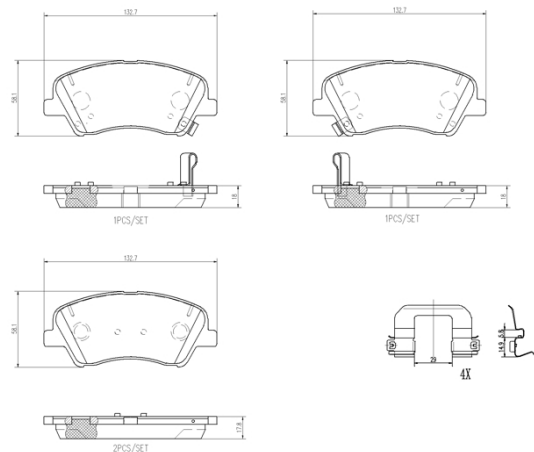
The Brembo brake pad guarantees ultimate safety when braking thanks to the use of more than 100 different compounds, designed according to the type of vehicle and use. Stopping distances reduced to a minimum, maximum driving comfort and silent operation are the most important features of Brembo materials. Brembo brake pads are supplied together with an extensive range of accessories and assembly kits for professional-standard installation.

- ✓ OE-equivalent
- ✓ Brembo quality
- ✓ ECE-R90 certificate
- ✓ Safety
- ✓ Performance
- ✓ Comfort
- ✓ With accessories



Technical specifications

EAN code 8020584069547	Axle Front	Thickness 18 mm
Width 133 mm	Height 58 mm	Braking system Akebono
Wear indicator Acoustic	WVA number 22228,22227,22229	Accessories With accessories With anti-squeal shim



COMPATIBLE VEHICLES

COMPATIBLE OE PART NUMBERS

58101Q0A00	HYUNDAI
------------	---------

58101H8A50	KIA
------------	-----

58101H8A53	KIA
------------	-----

58101H8A55	KIA
------------	-----

58101H8A58	KIA
------------	-----
