



BRAKE PAD

P 44 018

The P 44 018 brake pad is synonymous with reliability

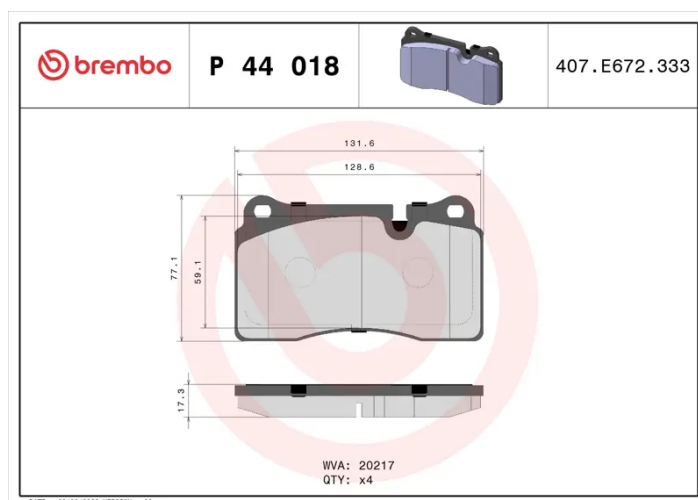
The Brembo brake pad guarantees ultimate safety when braking thanks to the use of more than 100 different compounds, designed according to the type of vehicle and use. Stopping distances reduced to a minimum, maximum driving comfort and silent operation are the most important features of Brembo materials. Brembo brake pads are supplied together with an extensive range of accessories and assembly kits for professional-standard installation.

- ✓ OE-equivalent
- ✓ Brembo quality
- ✓ ECE-R90 certificate
- ✓ Safety
- ✓ Performance
- ✓ Comfort



Technical specifications

EAN code 8020584060957	Axle Front	Thickness 17 mm
Width 132 mm	Height 77 mm	Braking system Brembo
Wear indicator Prepared for wear indicator	WVA number 20217	Accessories With anti-squeal shim



COMPATIBLE VEHICLES

COMPATIBLE OE PART NUMBERS

107856041 LAND ROVER

LR148353 LAND ROVER

SFP500045 LAND ROVER

SFP500070 LAND ROVER
