



# BRAKE PAD XTRA

## P 44 026X

The P 44 026X Xtra brake pad is synonymous with reliability

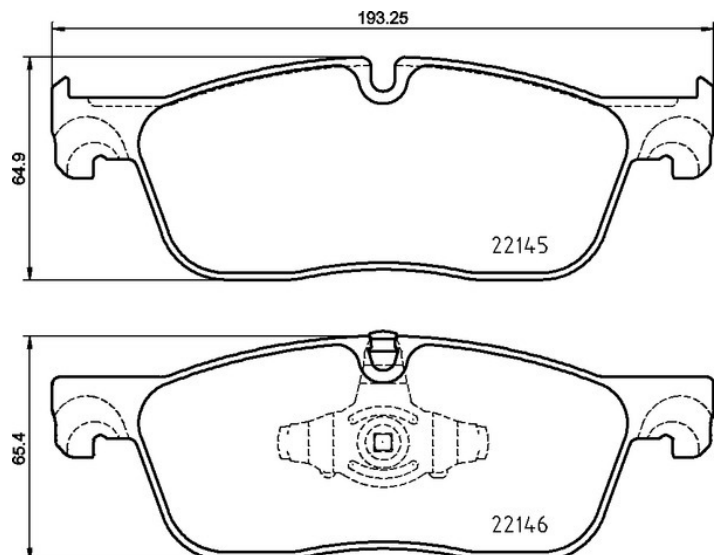
Brembo Xtra brake pads, developed to enhance the advantages of the Xtra and Max discs, are made using the special BRM X L01 compound which consists of more than 30 different components. Compared with the compound used for original-equivalent pads, the new solution assures a higher friction coefficient, which translates to more precise and stable braking, at both high and low temperatures. All this makes for greater driving comfort and improved pedal modularity, without compromising the product's mileage output.



- ✓ OE-equivalent
- ✓ Brembo quality
- ✓ ECE-R90 certificate
- ✓ Safety
- ✓ Performance
- ✓ Sports driving

### Technical specifications

EAN code	Axle	Thickness
<b>8020584068922</b>	<b>Front</b>	<b>18 mm</b>
Width	Height	Braking system
<b>193 mm</b>	<b>66 mm</b>	<b>Teves</b>
Wear indicator	WVA number	Accessories
<b>Prepared for wear indicator</b>	<b>22146,22145</b>	<b>With piston clip</b>



COMPATIBLE VEHICLES

## COMPATIBLE OE PART NUMBERS

C2C41984 JAGUAR

---

J9C17007 JAGUAR

---

J9C18522 JAGUAR

---

J9C33357 JAGUAR

---

LR061373 LAND ROVER

---

LR072681 LAND ROVER

---

LR118006 LAND ROVER

---

LR128263 LAND ROVER

---

LR160435 LAND ROVER

---

LR160486 LAND ROVER

---

LR160540 LAND ROVER

---

T2R69707 TOYOTA

---