



# BRAKE PAD

## P 49 039

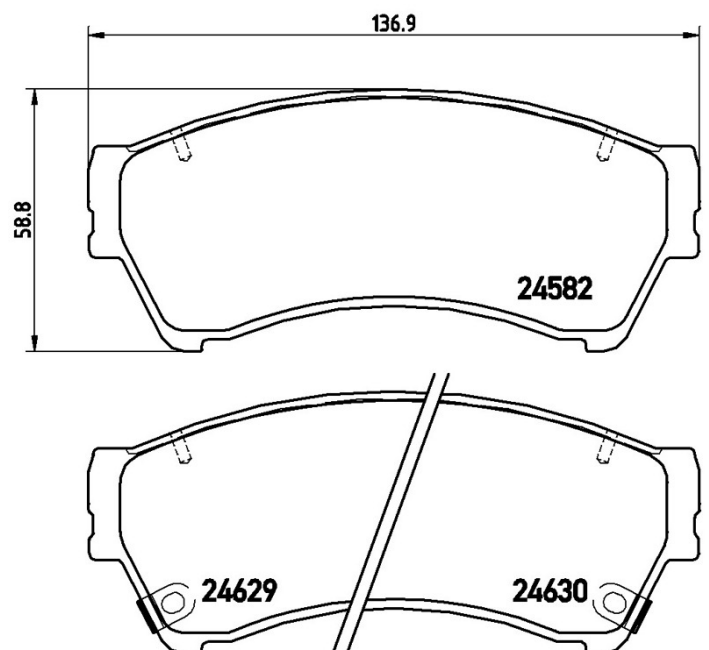
The P 49 039 brake pad is synonymous with reliability

The Brembo brake pad guarantees ultimate safety when braking thanks to the use of more than 100 different compounds, designed according to the type of vehicle and use. Stopping distances reduced to a minimum, maximum driving comfort and silent operation are the most important features of Brembo materials. Brembo brake pads are supplied together with an extensive range of accessories and assembly kits for professional-standard installation.

- ✓ OE-equivalent
- ✓ Brembo quality
- ✓ ECE-R90 certificate
- ✓ Safety
- ✓ Performance
- ✓ Comfort

### Technical specifications

EAN code	Axle	Thickness
<b>8020584060995</b>	<b>Front</b>	<b>18 mm</b>
Width	Height	Braking system
<b>137 mm</b>	<b>59 mm</b>	<b>Akebono</b>
Wear indicator	WVA number	
<b>Acoustic</b>	<b>24582,24630,24629</b>	



COMPATIBLE VEHICLES

## COMPATIBLE OE PART NUMBERS

B5DA03328Z	FAW
6U2Z2V001F	FORD
6E5Z2001A	FORD USA
6E5Z2001B	FORD USA
6E5Z2001C	FORD USA
6U2Z2V001D	FORD USA
6U2Z2V001F	FORD USA
7E5Z2001A	FORD USA
9E5Z2001A	FORD USA
6E5Z2001B	LINCOLN
6E5Z2001C	LINCOLN
6U2Z2V001D	LINCOLN
6U2Z2V001F	LINCOLN
G3YA3328Z	MAZDA
GPYB3323ZD	MAZDA
GPYB3323ZE	MAZDA
GPYB3323ZG	MAZDA
GPYB3328Z	MAZDA
GPYB3328ZF	MAZDA
GSYD3323Z	MAZDA
GSYD3323ZA	MAZDA
GSYD3328Z	MAZDA
GSYD3328Z9C	MAZDA
GSYD3328ZA	MAZDA
GSYD3328ZB	MAZDA
GVYD3328Z	MAZDA
GVYD3328Z	MAZDA (FAW)
6E5Z2001B	MERCURY
6E5Z2001C	MERCURY
6U2Z2V001D	MERCURY
6U2Z2V001F	MERCURY
GSYD3329ZA	MINI